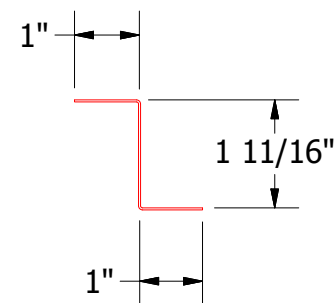
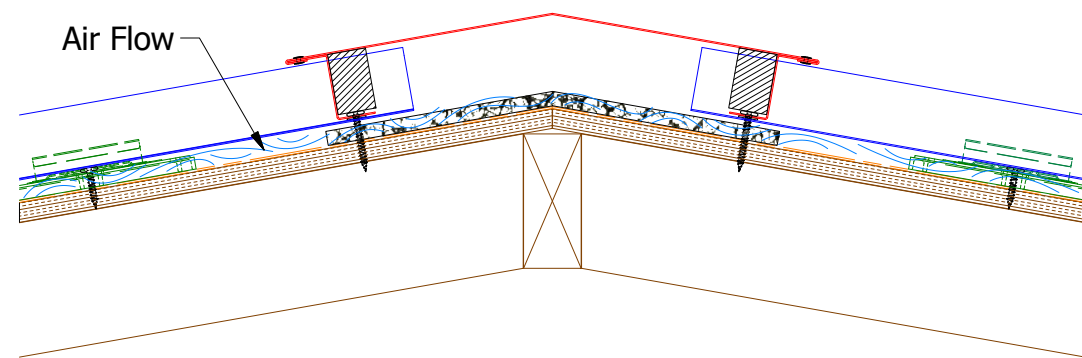
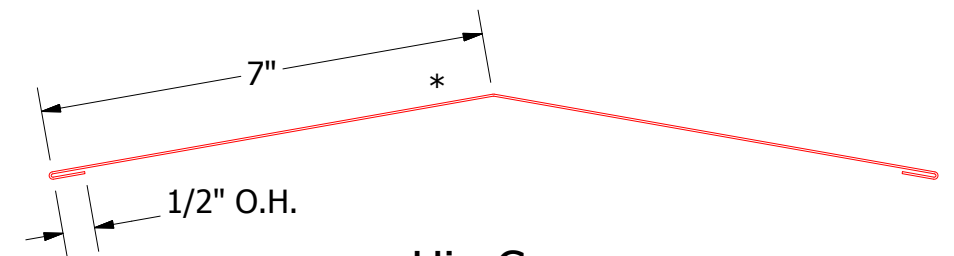



ASV Shim



Z Closure



Hip Cap

REV. NO.		DATE	DESCRIPTION OF REVISION	BY	APP	 ATAS INTERNATIONAL, INC Allentown PA 610-395-8445 Mesa AZ 480-558-7210	
TITLE						Dutch Seam ASV Hip Detail	
DWG. NO.				DR	MBP	DATE	7/26/2017
MATERIAL				APP		DATE	
						SH. SIZE	B
						SCALE	X:X