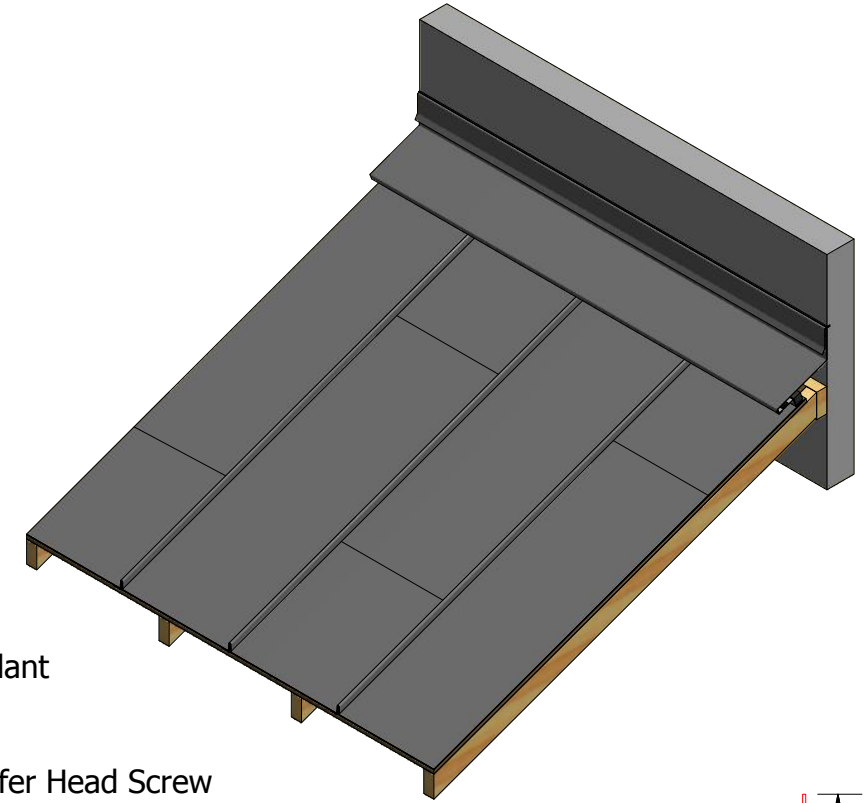
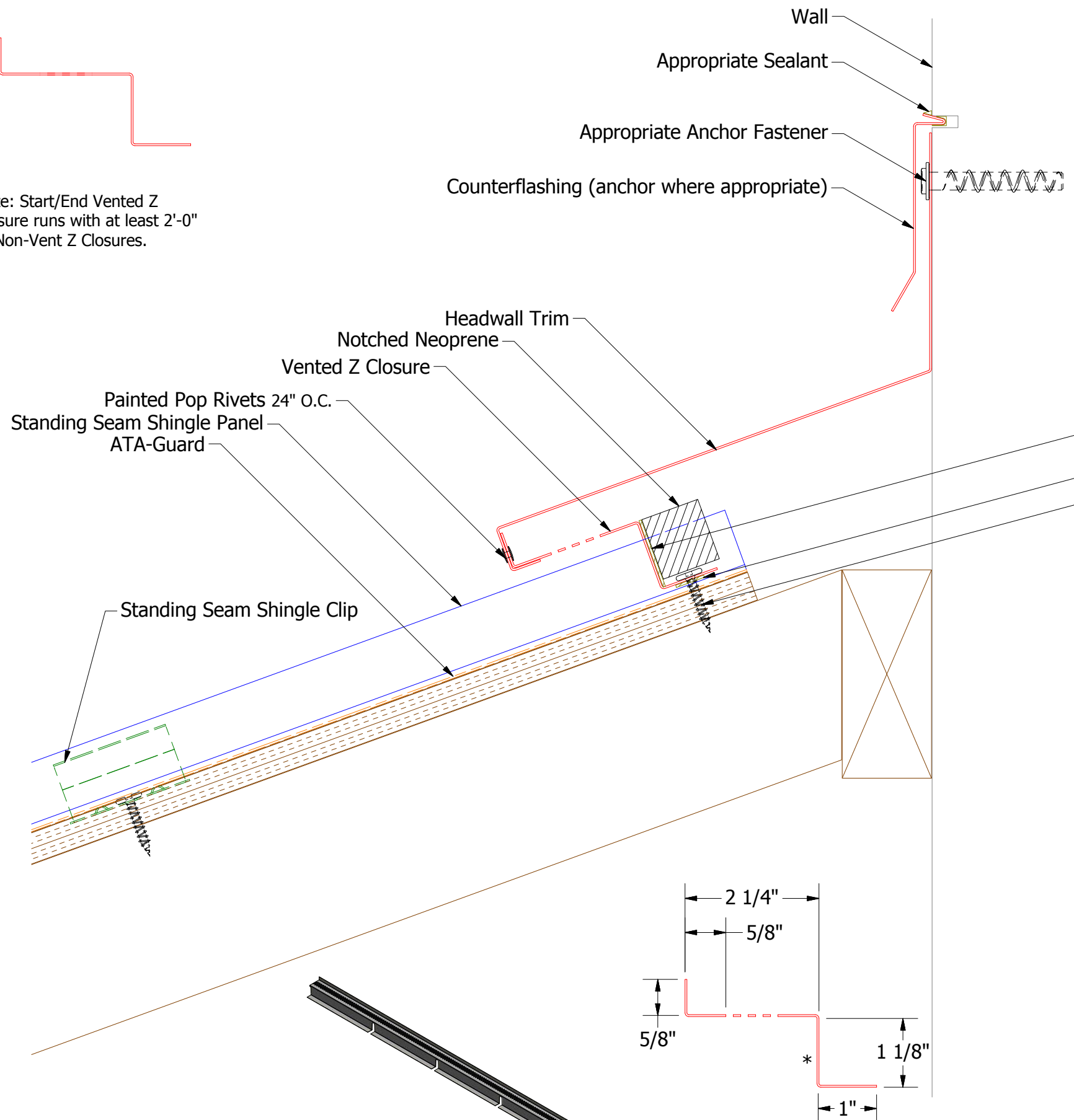


Note: Start/End Vented Z Closure runs with at least 2'-0" of Non-Vent Z Closures.

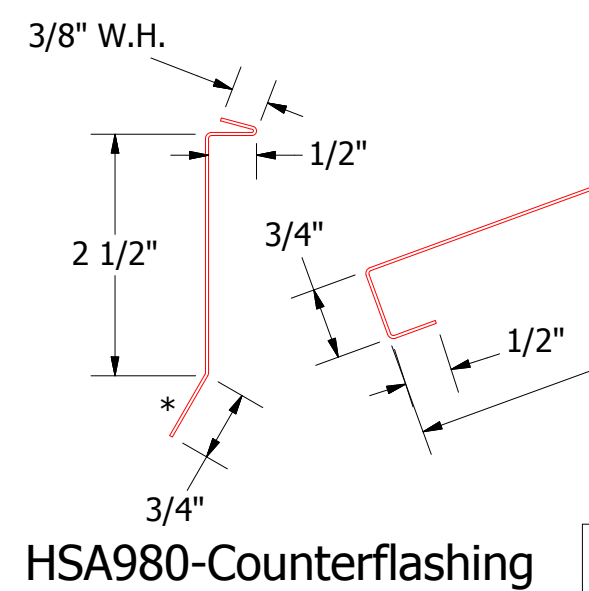
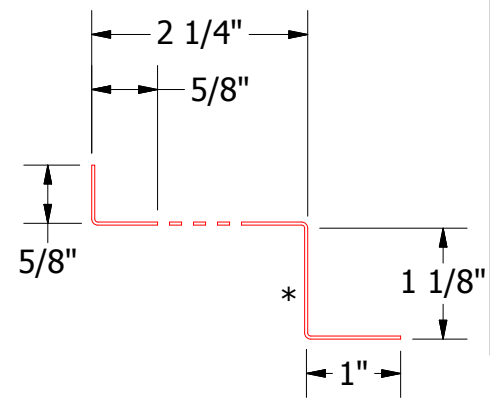


- Appropriate Sealant
- Butyl Tape
- #10-13 x 1" Wafer Head Screw

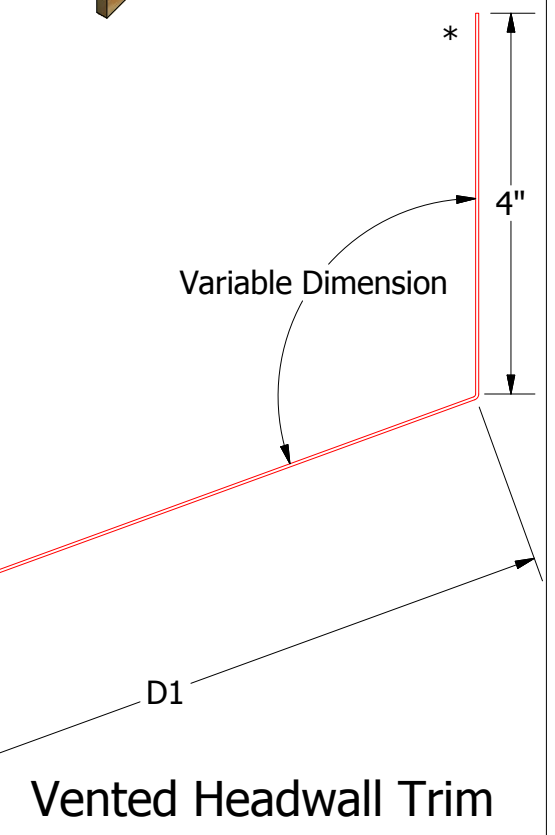
Factory Vented Pre Notched Z Closure

Note: * denotes color side.
 Note: Neoprene Closures are not required if Factory Pre Notched Z Closures are utilized.

HSA911-Vented Z Closure



HSA980-Counterflashing



Vented Headwall Trim

ATAS ATAS INTERNATIONAL, INC
 Allentown PA
 610-395-8445
 Mesa AZ
 480-558-7210

TITLE				Standing Seam Shingle Vented Headwall Detail			
DWG. NO.		DR		DATE		6/6/2019	
		MBP					
		APP				DATE	
MATERIAL				SH. SIZE		SCALE	
				B		X:X	
REV. NO.	DATE	DESCRIPTION OF REVISION	BY	APP			