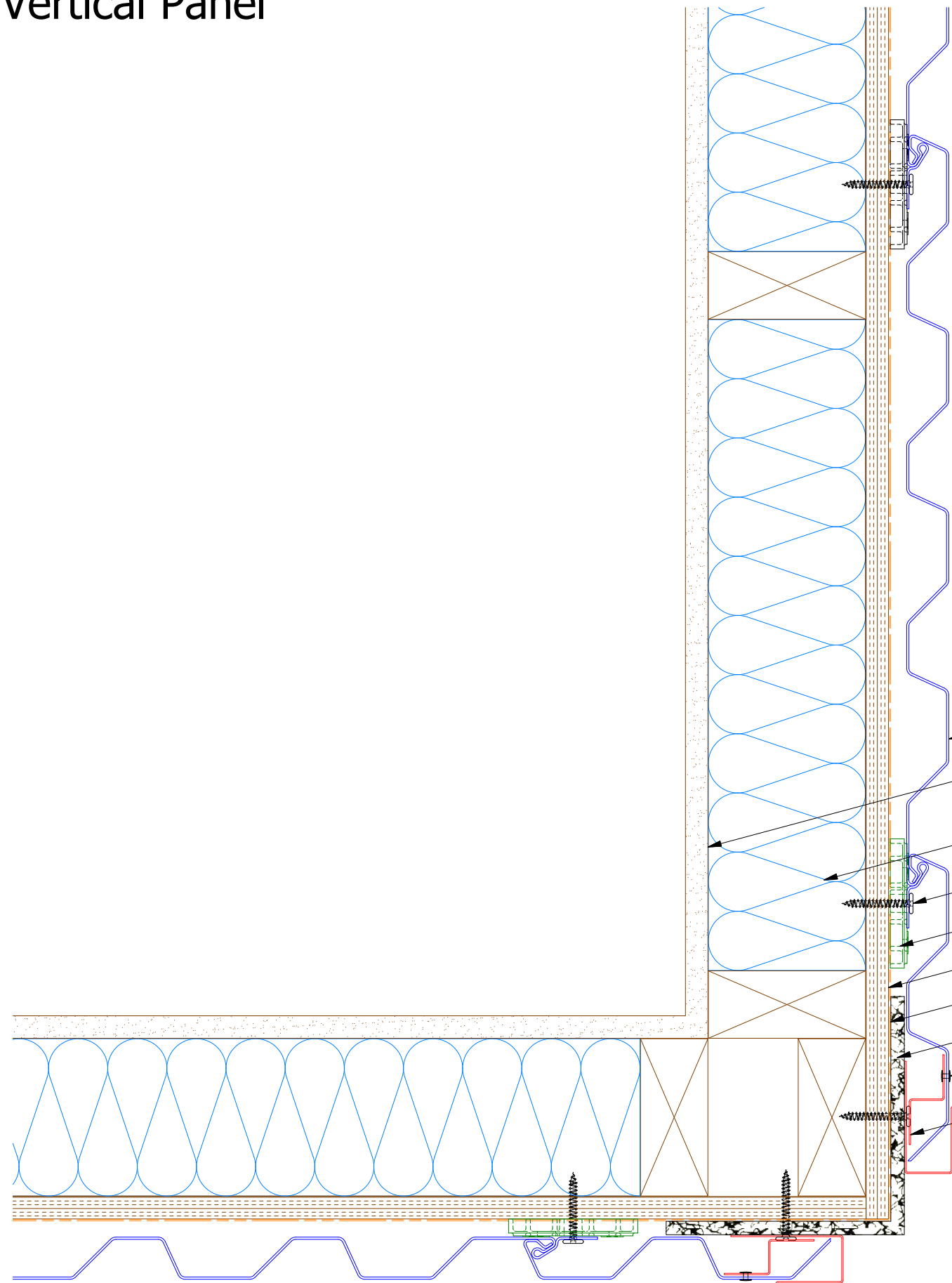
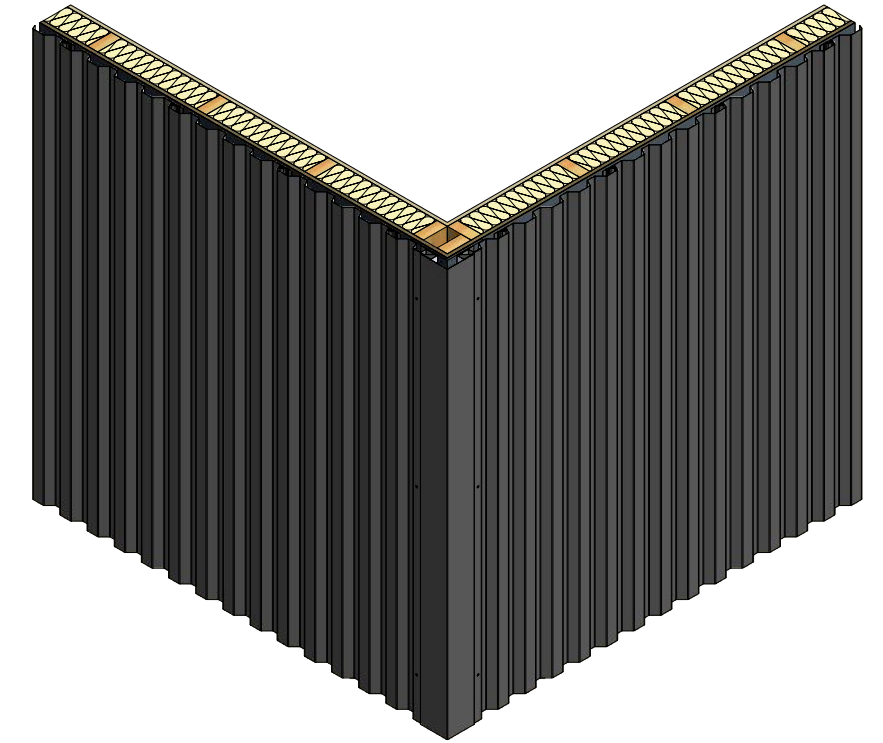


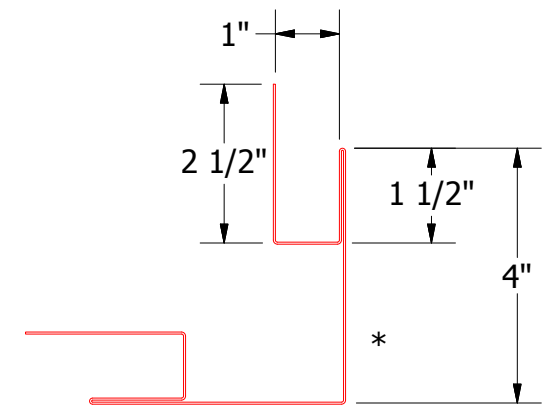
# Vertical Panel



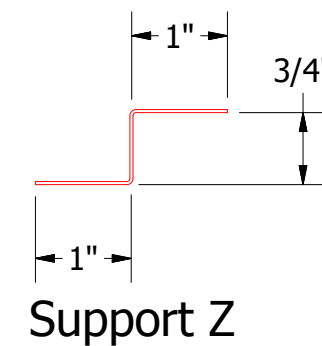
ASV Shim



- Rigid Wall II Panel
- Interior Finish
- Insulation
- #10 x 1" Painted Hex Washer Head Fastener with Washer
- ASV Shim
- 1/2" Plywood (min.)
- Water and Air Resistant Barrier
- Enkamat
- Painted Pop Rivet
- Support Z
- Outside Corner Post



MCA602-Outside Corner Post



Support Z

ASV Shim Patent #: D809,681


**ATAS INTERNATIONAL, INC**  
 Allentown PA  
 610-395-8445  
 Mesa AZ  
 480-558-7210

**Note:** \* denotes color side.

REV. NO.	DATE	DESCRIPTION OF REVISION	BY	APP

TITLE Rigid Wall II ASV Outside Corner Detail		
DWG. NO.	DR	DATE
	DMR	5/2/2019
MATERIAL	APP	DATE
SH. SIZE	B	SCALE
		X:X