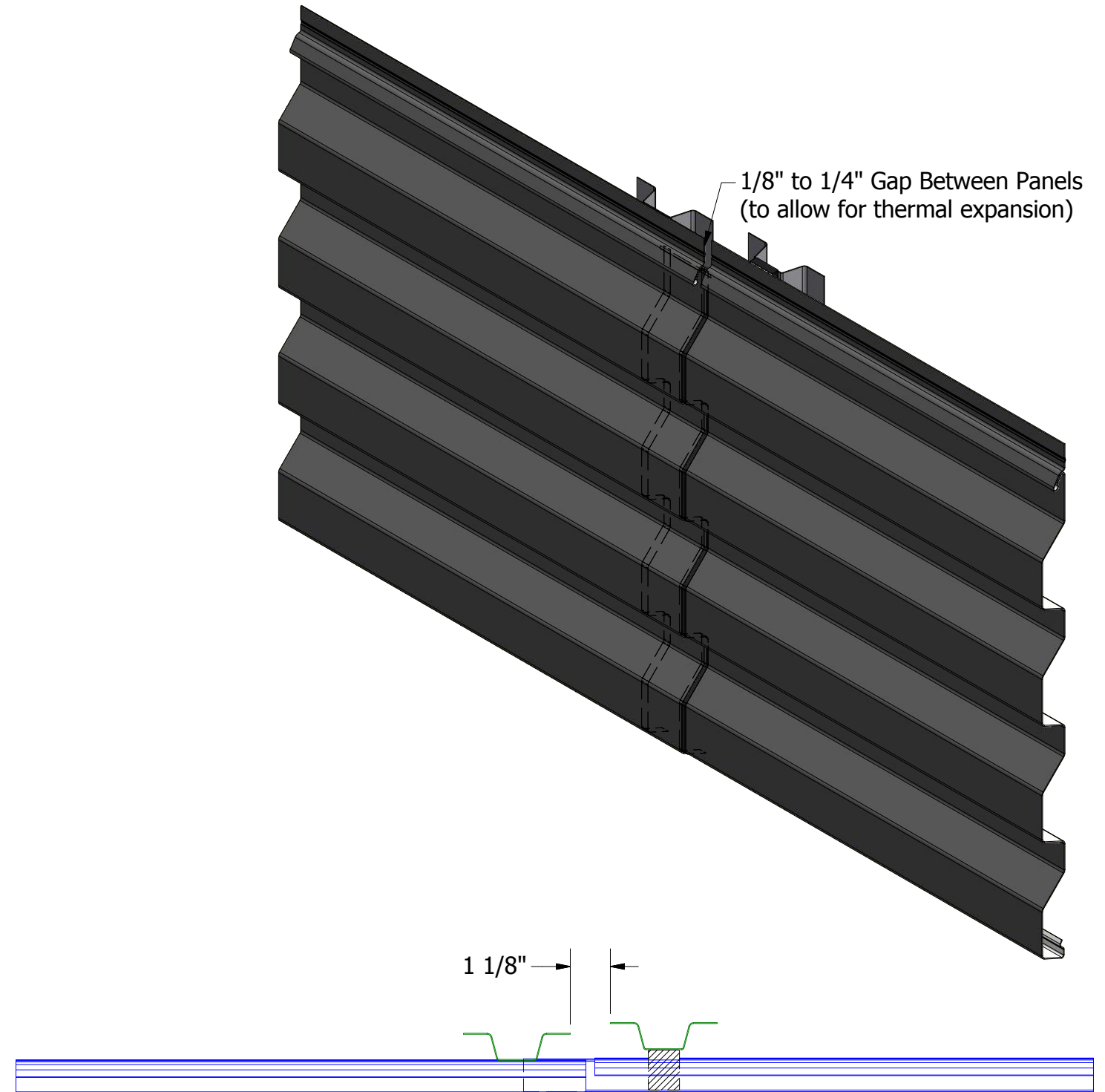
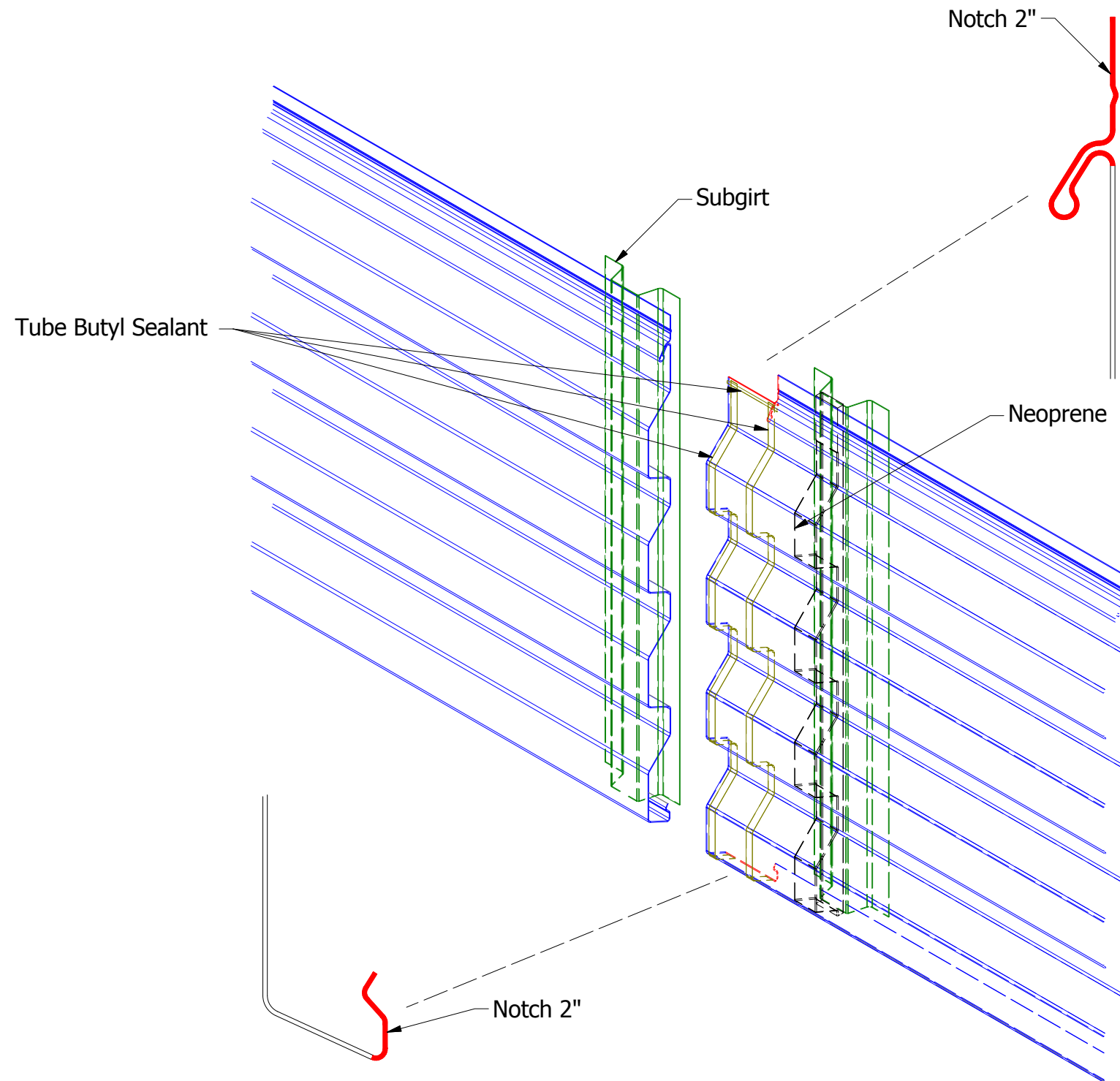


Factory Pre-Notched Right to Left

(Direction of Panel is Required)



Note: It is advisable to lap panels randomly throughout elevation to minimize continuous sight lines.

REV. NO.		DATE	DESCRIPTION OF REVISION	BY	APP	TITLE Rigid Wall II Panel Lap Detail	
DR		KRK	DATE	1/26/2015		MATERIAL	
APP						SH. SIZE	B
						SCALE	X:X

ATAS ATAS INTERNATIONAL, INC
 Allentown PA
 610-395-8445
 Mesa AZ
 480-558-7210