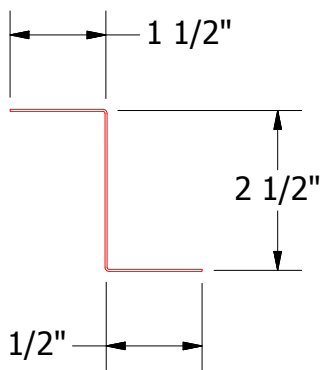
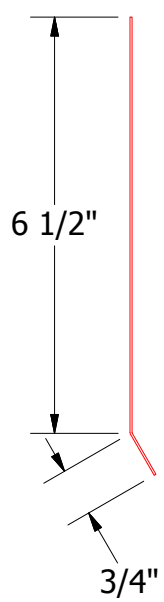


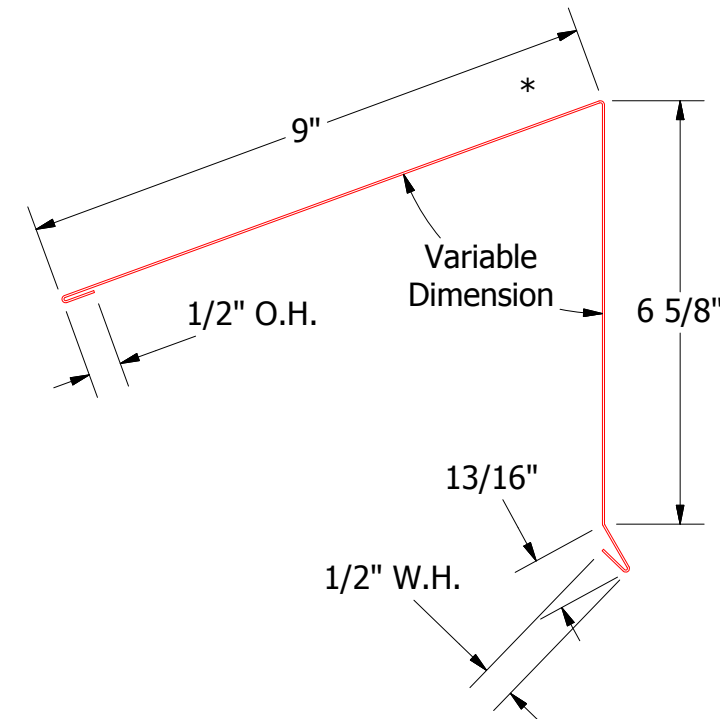
Factory Pre Notched Z Closure



FLA910-Z Closure



FLA349-Shed Ridge Starter Cleat



FLA346-Shed Ridge Cap

Note: * denotes color side.
Note: Neoprene Closures are not required if Factory Pre Notched Z Closures are utilized.

REV. NO.	DATE	DESCRIPTION OF REVISION	BY	APP

		ATAS INTERNATIONAL, INC Allentown PA 610-395-8445 Mesa AZ 480-558-7210	
TITLE FLS Shed Ridge Detail			
DWG. NO.		DR KRK	DATE 10/8/2014
MATERIAL		APP	DATE
SH. SIZE B		SCALE X:X	