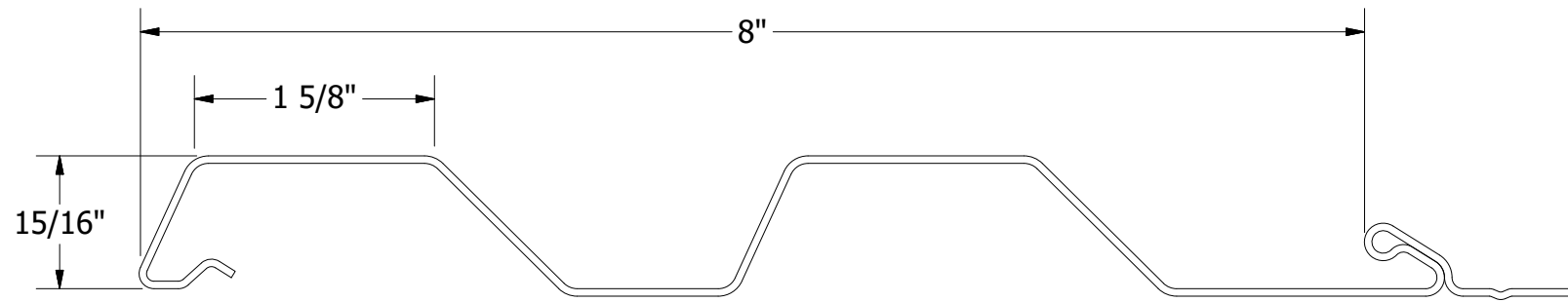
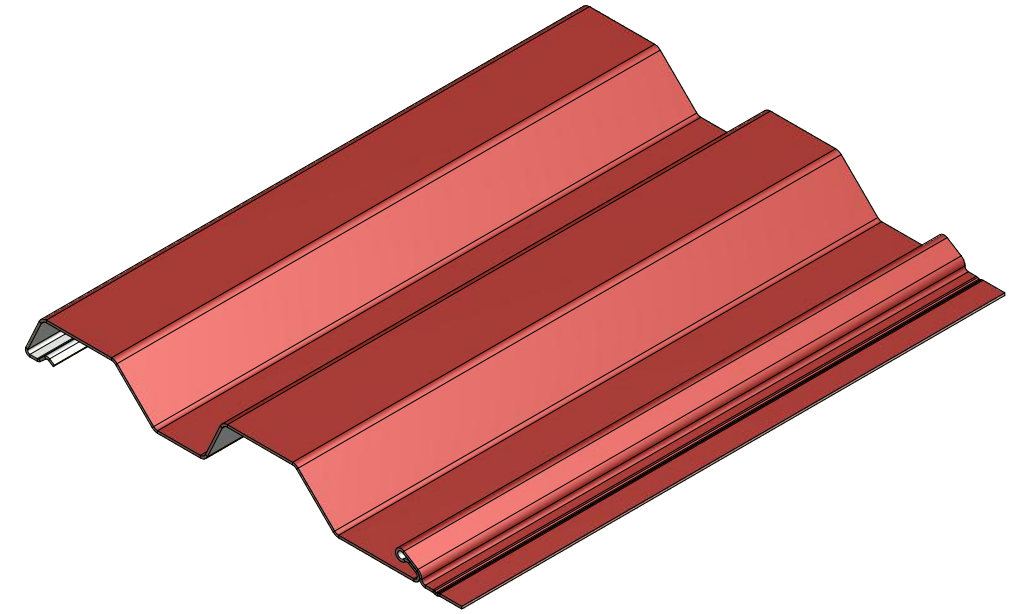


# MFN080 Panel

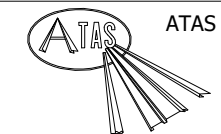
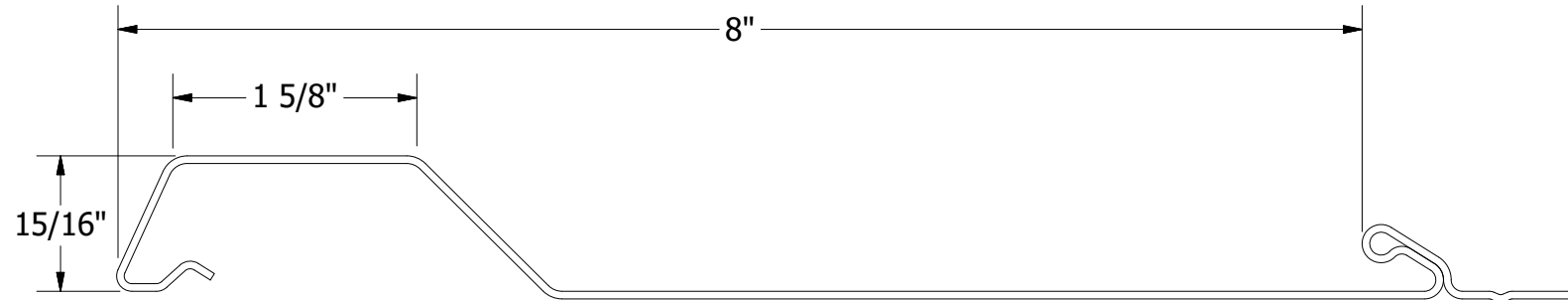
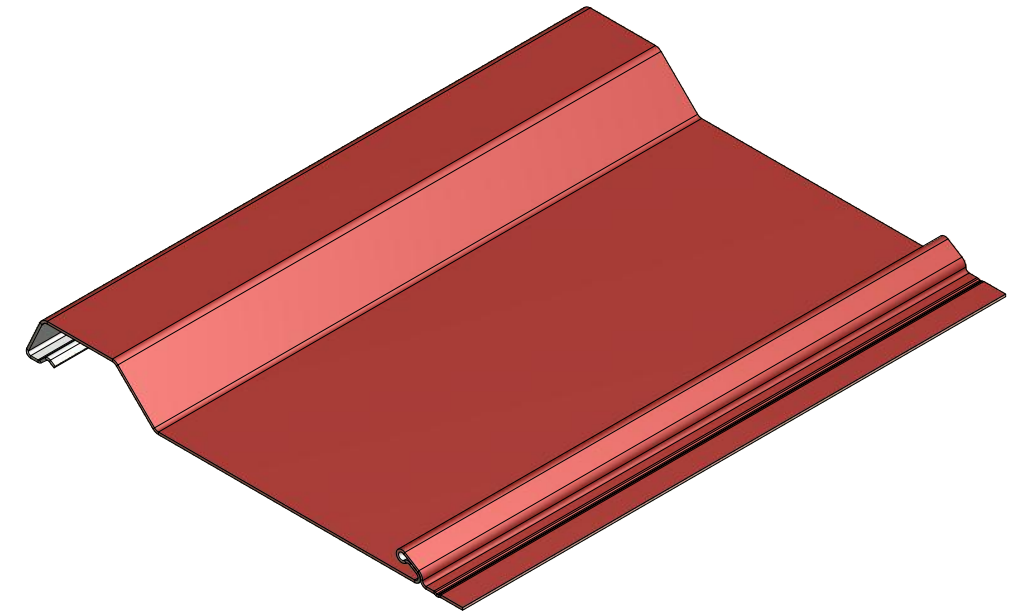



**ATAS INTERNATIONAL, INC**  
 Allentown PA  
 610-395-8445  
 Mesa AZ  
 480-558-7210

TITLE			Rigid Wall II Panel Detail		
DWG. NO.		DR		DATE	
		DMR		10/30/2017	
MATERIAL		APP		DATE	
		SH. SIZE		SCALE	
		B		X:X	

REV. NO.	DATE	DESCRIPTION OF REVISION	BY	APP

# MFN081 Panel

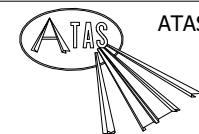
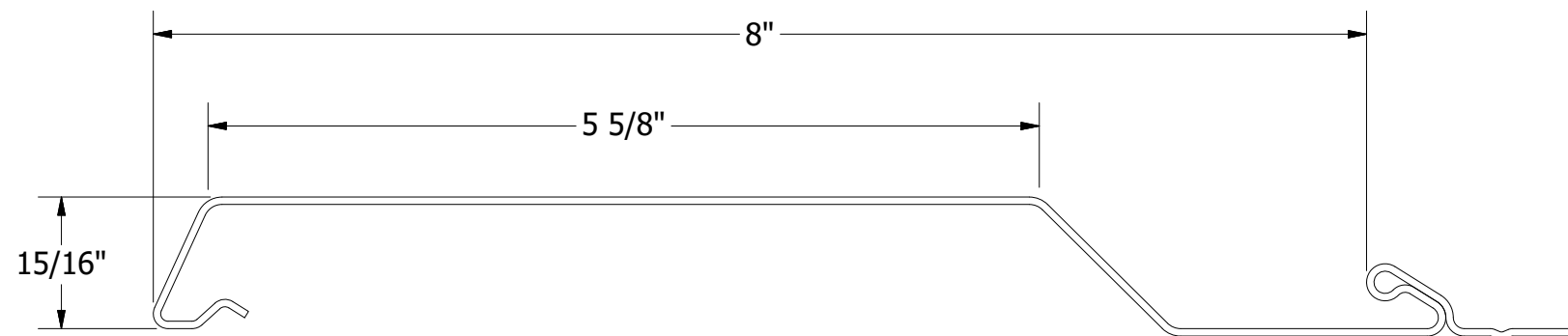
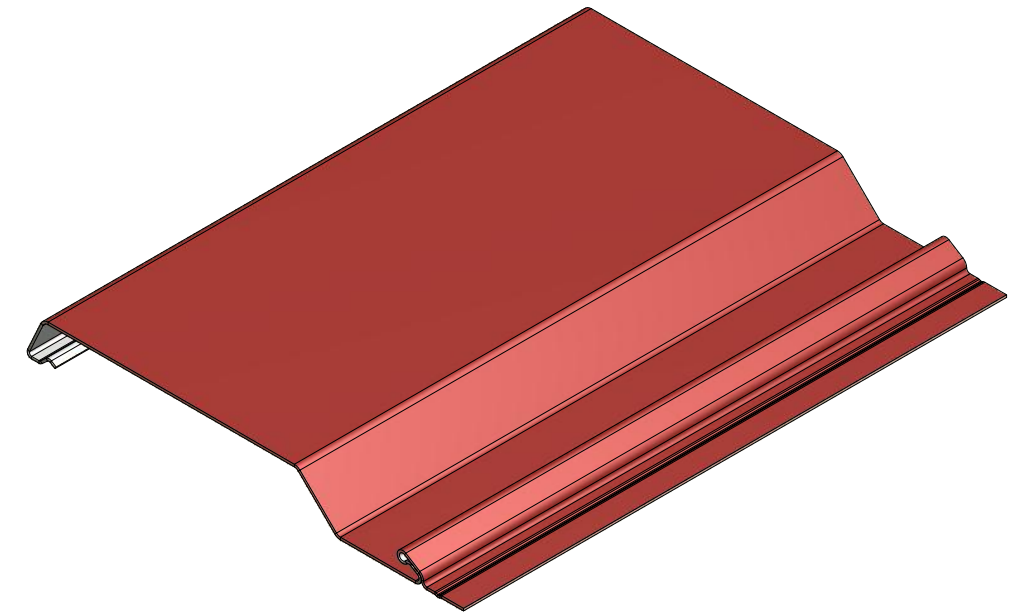


**ATAS INTERNATIONAL, INC**  
 Allentown PA  
 610-395-8445  
 Mesa AZ  
 480-558-7210

TITLE			Rigid Wall II Panel Detail		
DWG. NO.		DR		DATE	
		DMR		10/30/2017	
MATERIAL		APP		DATE	
		SH. SIZE		SCALE	
		B		X:X	

REV. NO.	DATE	DESCRIPTION OF REVISION	BY	APP

# MFN082 Panel

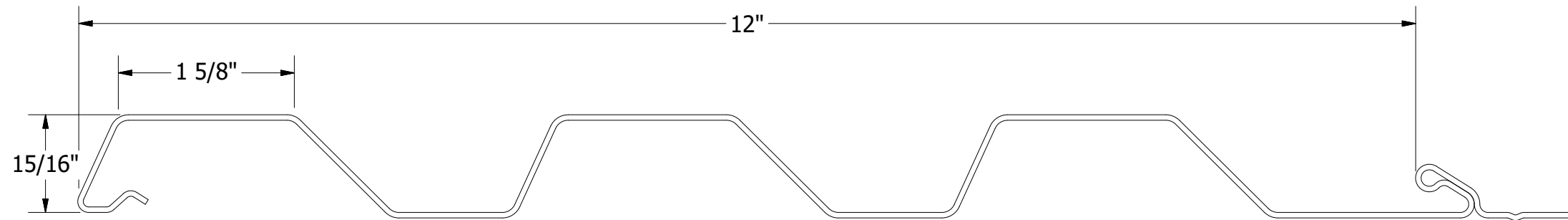
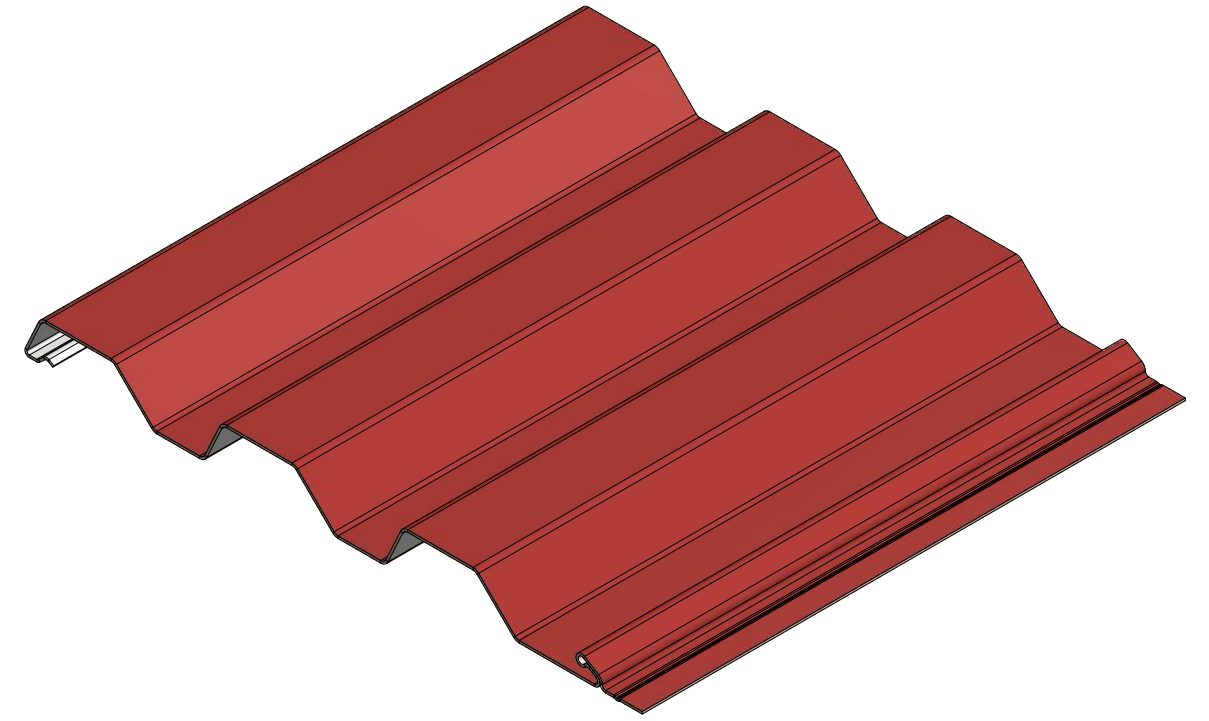


**ATAS INTERNATIONAL, INC**  
 Allentown PA  
 610-395-8445  
 Mesa AZ  
 480-558-7210

TITLE			Rigid Wall II Panel Detail		
DWG. NO.		DR		DATE	
		DMR		10/30/2017	
MATERIAL		APP		DATE	
		SH. SIZE		SCALE	
		B		X:X	

REV. NO.	DATE	DESCRIPTION OF REVISION	BY	APP

# MFN120 Panel

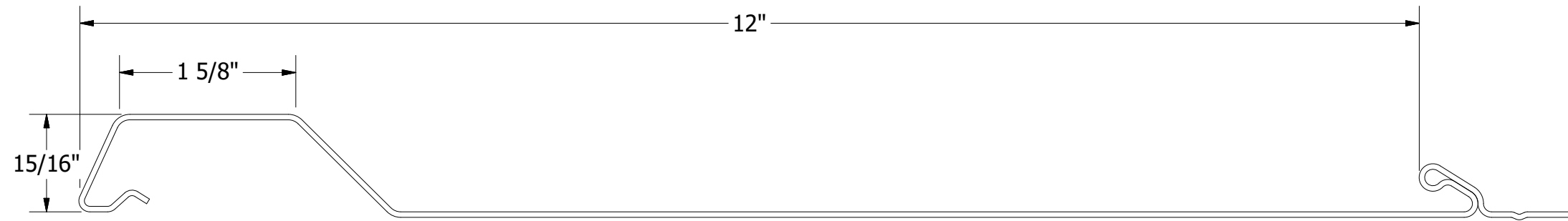
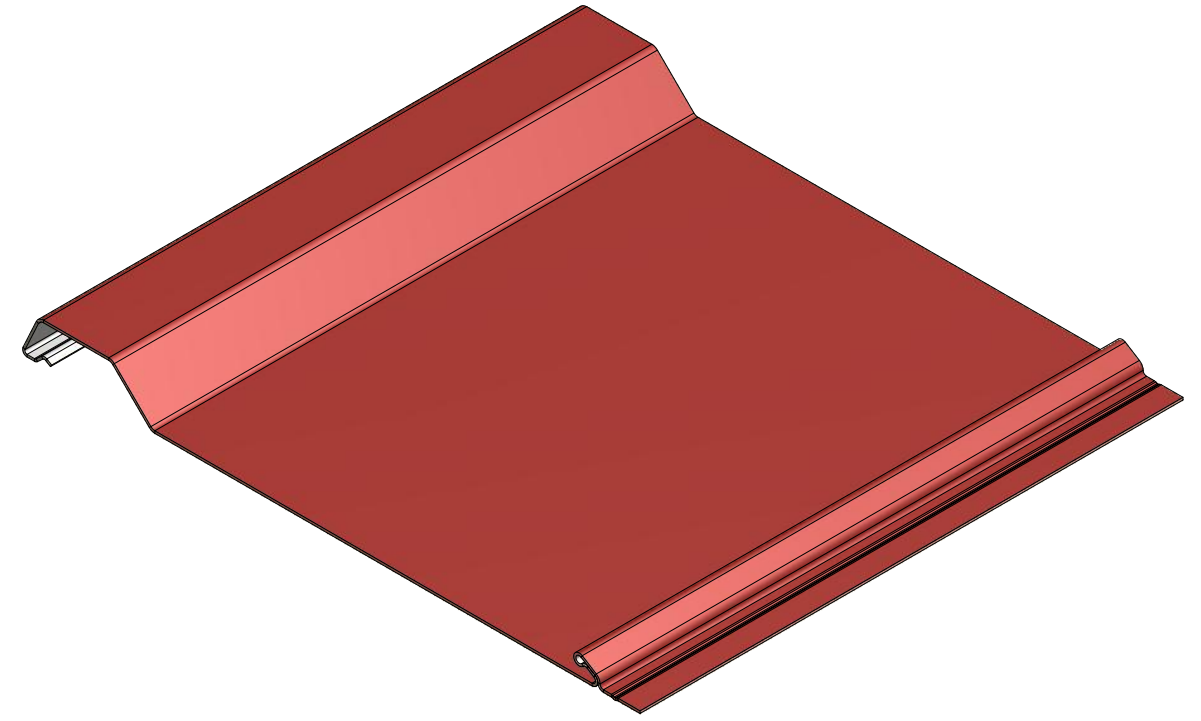


**ATAS** ATAS INTERNATIONAL, INC  
 Allentown PA  
 610-395-8445  
 Mesa AZ  
 480-558-7210

TITLE			Rigid Wall II Panel Detail		
DWG. NO.		DR		DATE	
		DMR		10/30/2017	
MATERIAL		APP		DATE	
		SH. SIZE		SCALE	
		B		X:X	

REV. NO.	DATE	DESCRIPTION OF REVISION	BY	APP

# MFN121 Panel

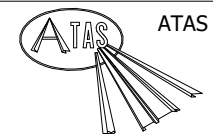
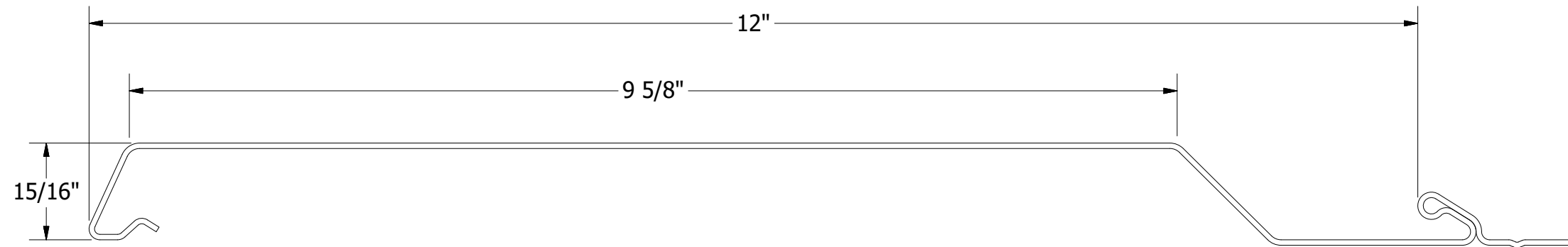
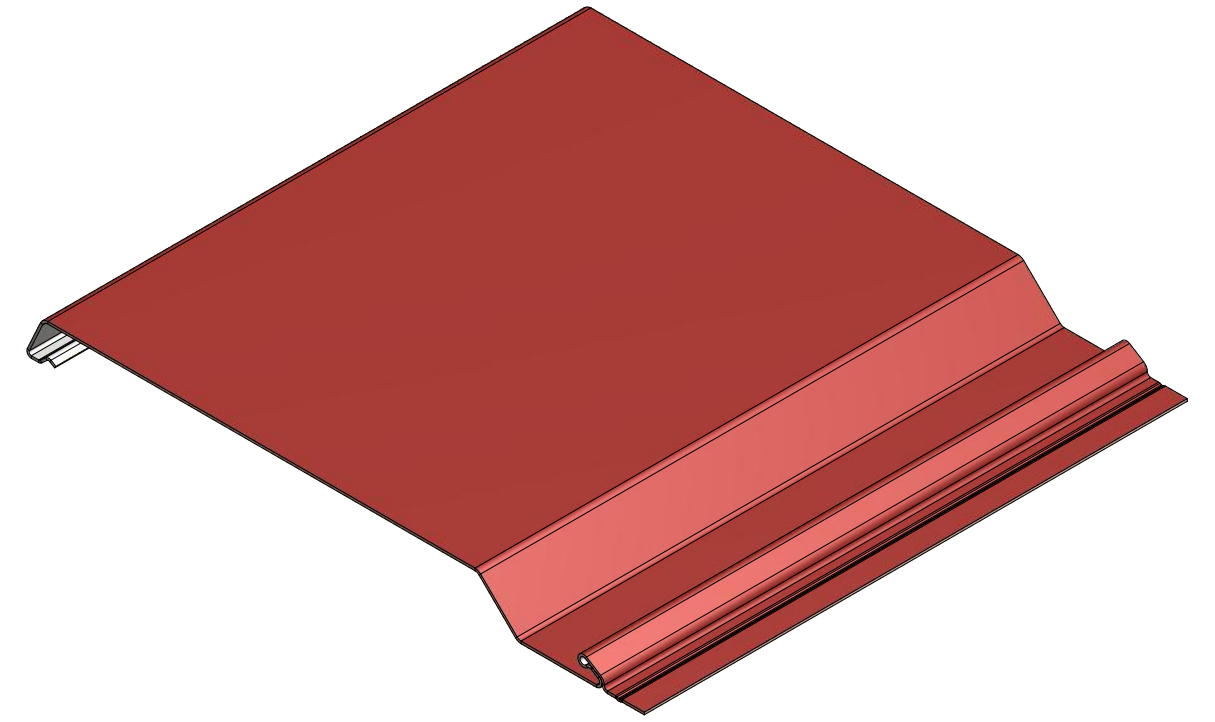


**ATAS** ATAS INTERNATIONAL, INC  
 Allentown PA  
 610-395-8445  
 Mesa AZ  
 480-558-7210

TITLE			Rigid Wall II Panel Detail		
DWG. NO.		DR		DATE	
		DMR		10/30/2017	
MATERIAL		APP		DATE	
		SH. SIZE		SCALE	
		B		X:X	

REV. NO.	DATE	DESCRIPTION OF REVISION	BY	APP

# MFN122 Panel

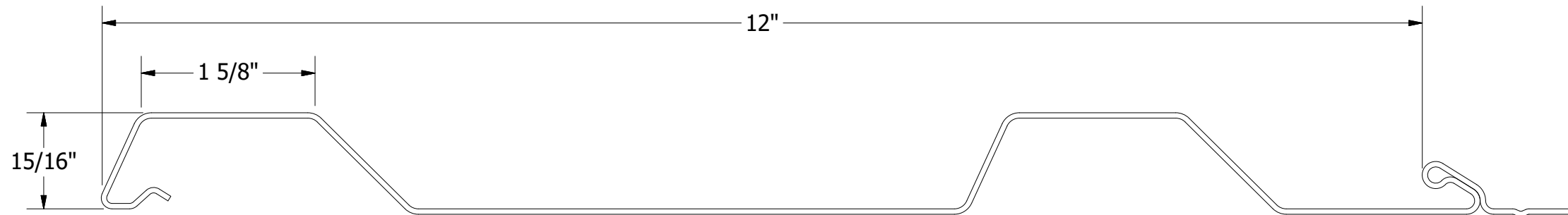
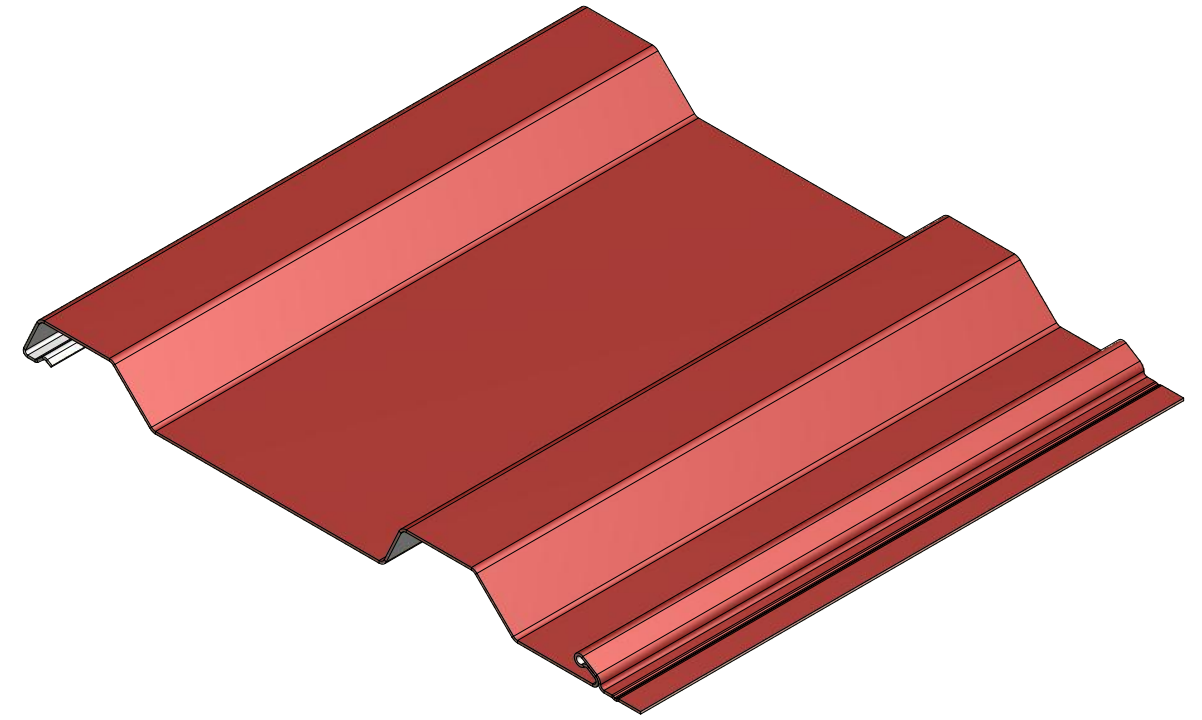


ATAS INTERNATIONAL, INC  
 Allentown PA  
 610-395-8445  
 Mesa AZ  
 480-558-7210

TITLE		Rigid Wall II Panel Detail	
DWG. NO.	DR	DATE	10/30/2017
	DMR	DATE	
MATERIAL	APP	SH. SIZE	B
		SCALE	X:X

REV. NO.	DATE	DESCRIPTION OF REVISION	BY	APP

# MFN123 Panel

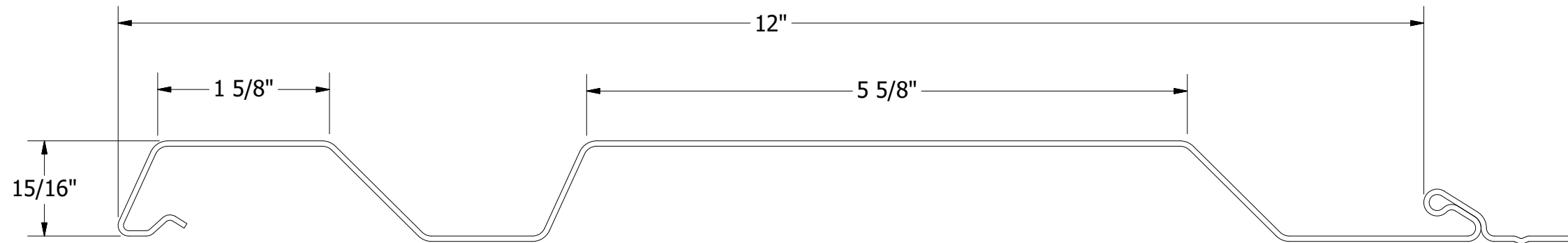
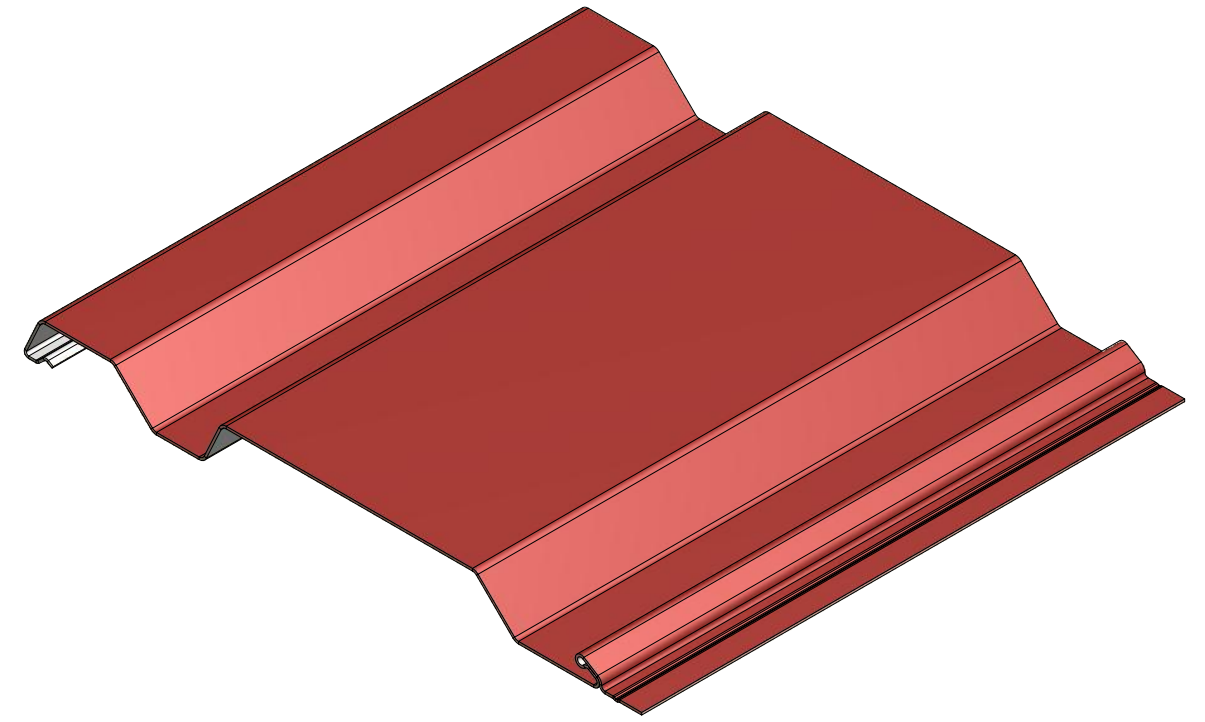



**ATAS INTERNATIONAL, INC**  
 Allentown PA  
 610-395-8445  
 Mesa AZ  
 480-558-7210

TITLE			Rigid Wall II Panel Detail		
DWG. NO.		DR		DATE	
		DMR		10/30/2017	
MATERIAL		APP		DATE	
		SH. SIZE		SCALE	
		B		X:X	

REV. NO.	DATE	DESCRIPTION OF REVISION	BY	APP

# MFN124 Panel



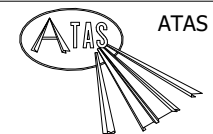
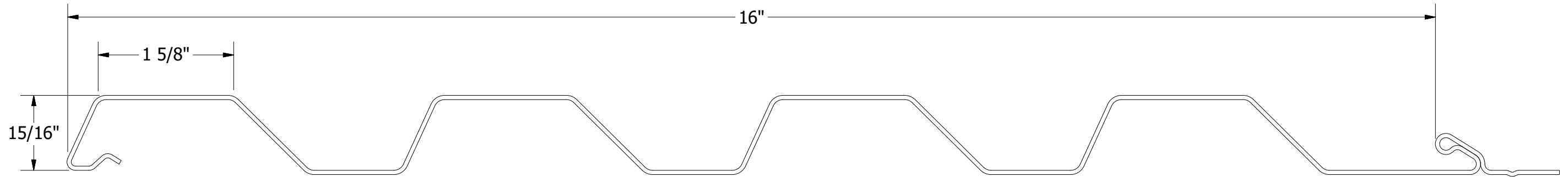
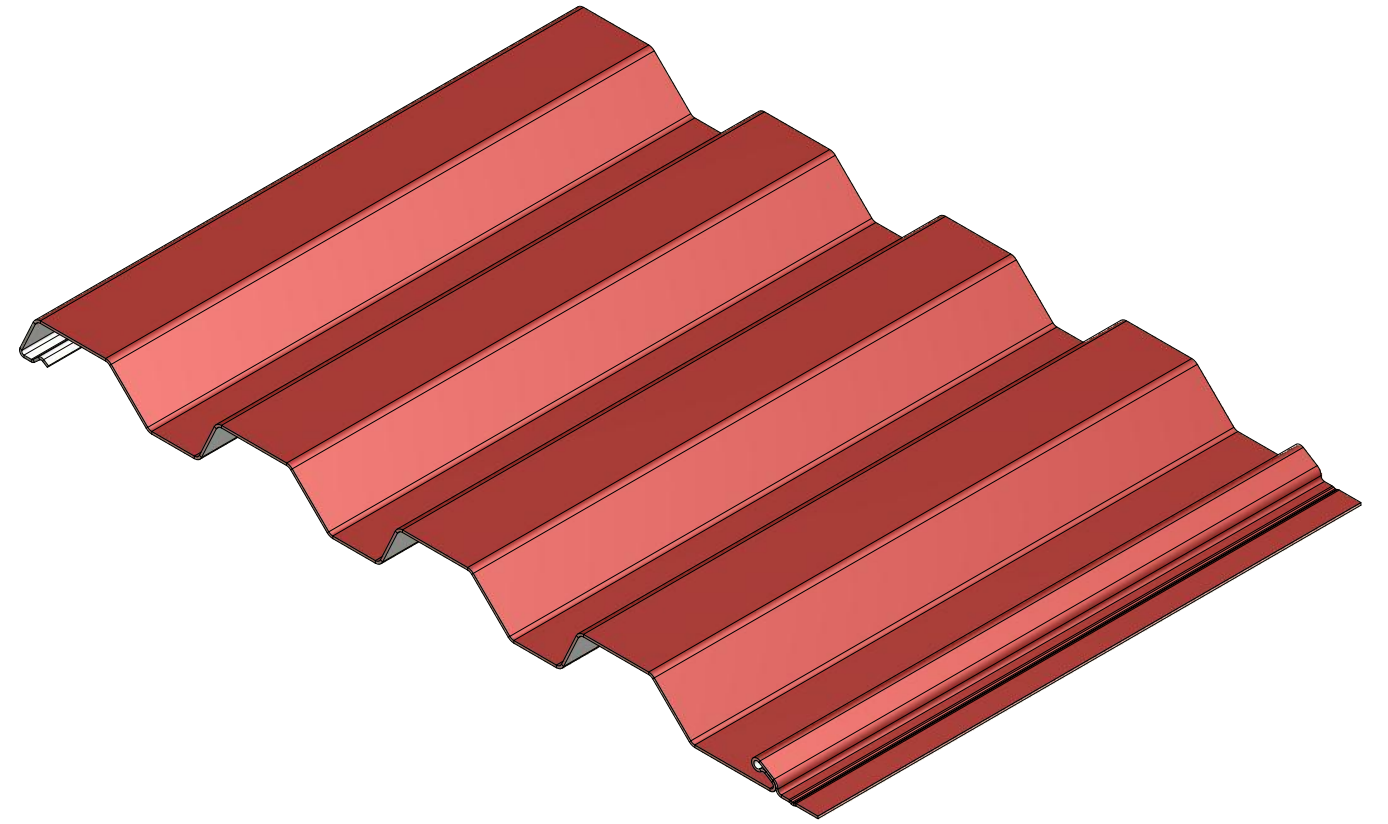
**ATAS** ATAS INTERNATIONAL, INC  
 Allentown PA  
 610-395-8445  
 Mesa AZ  
 480-558-7210

TITLE			Rigid Wall II Panel Detail		
DWG. NO.		DR		DATE	
		DMR		10/30/2017	
MATERIAL		APP		DATE	
		SH. SIZE		SCALE	
		B		X:X	

REV. NO.	DATE	DESCRIPTION OF REVISION	BY	APP



# MFN160 Panel

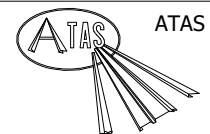
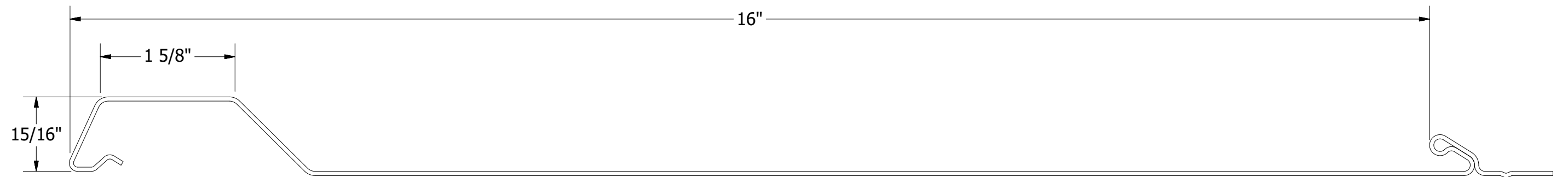
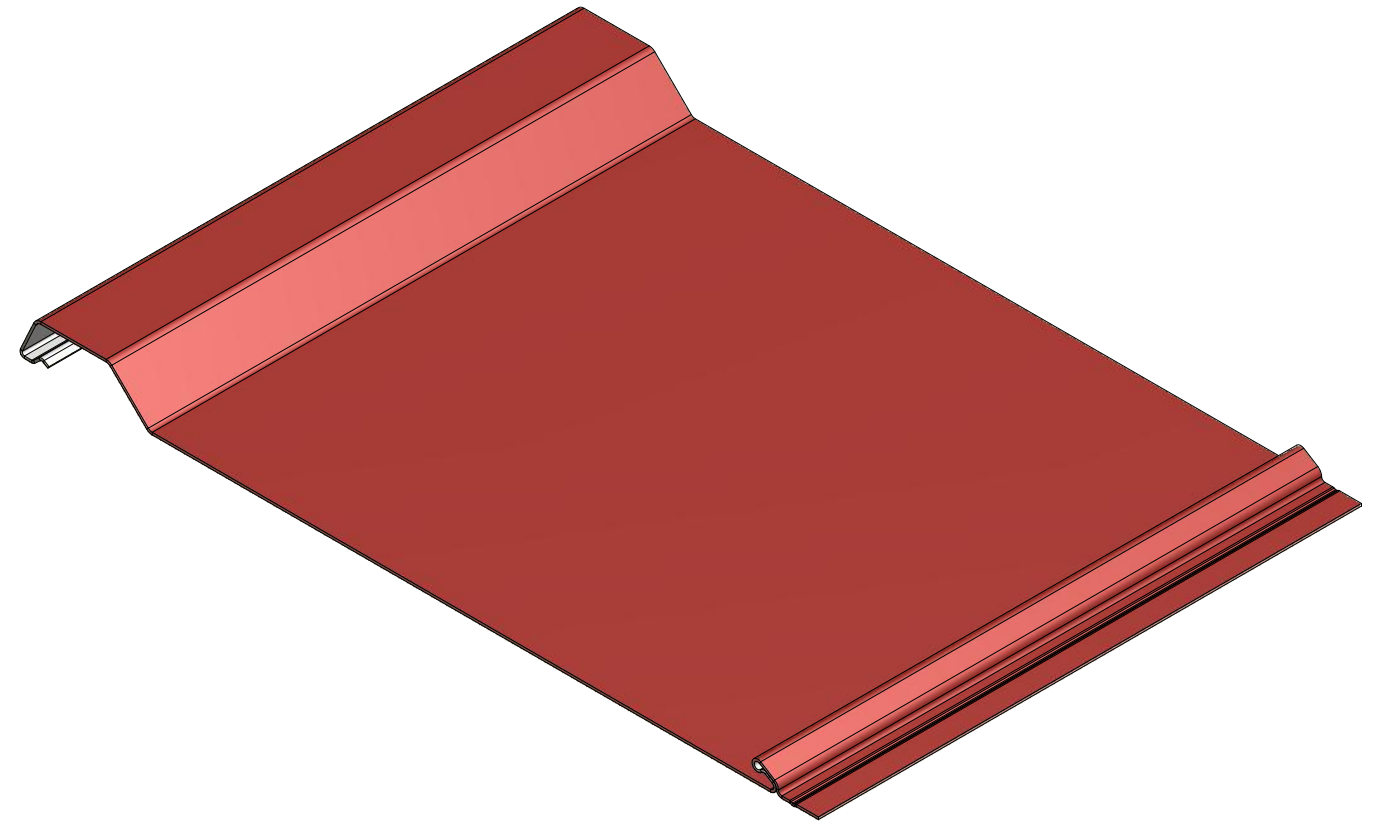


ATAS INTERNATIONAL, INC  
 Allentown PA  
 610-395-8445  
 Mesa AZ  
 480-558-7210

TITLE		Rigid Wall II Panel Detail	
DWG. NO.	DR	DATE	10/30/2017
	DMR	DATE	
MATERIAL	APP	SH. SIZE	B
		SCALE	X:X

REV. NO.	DATE	DESCRIPTION OF REVISION	BY	APP

# MFN161 Panel

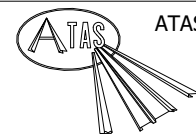
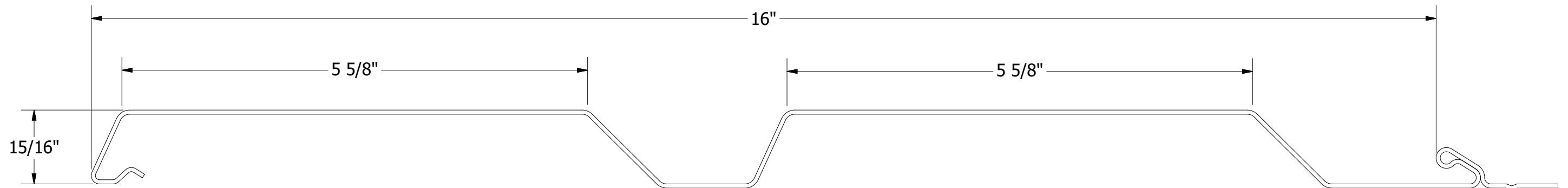
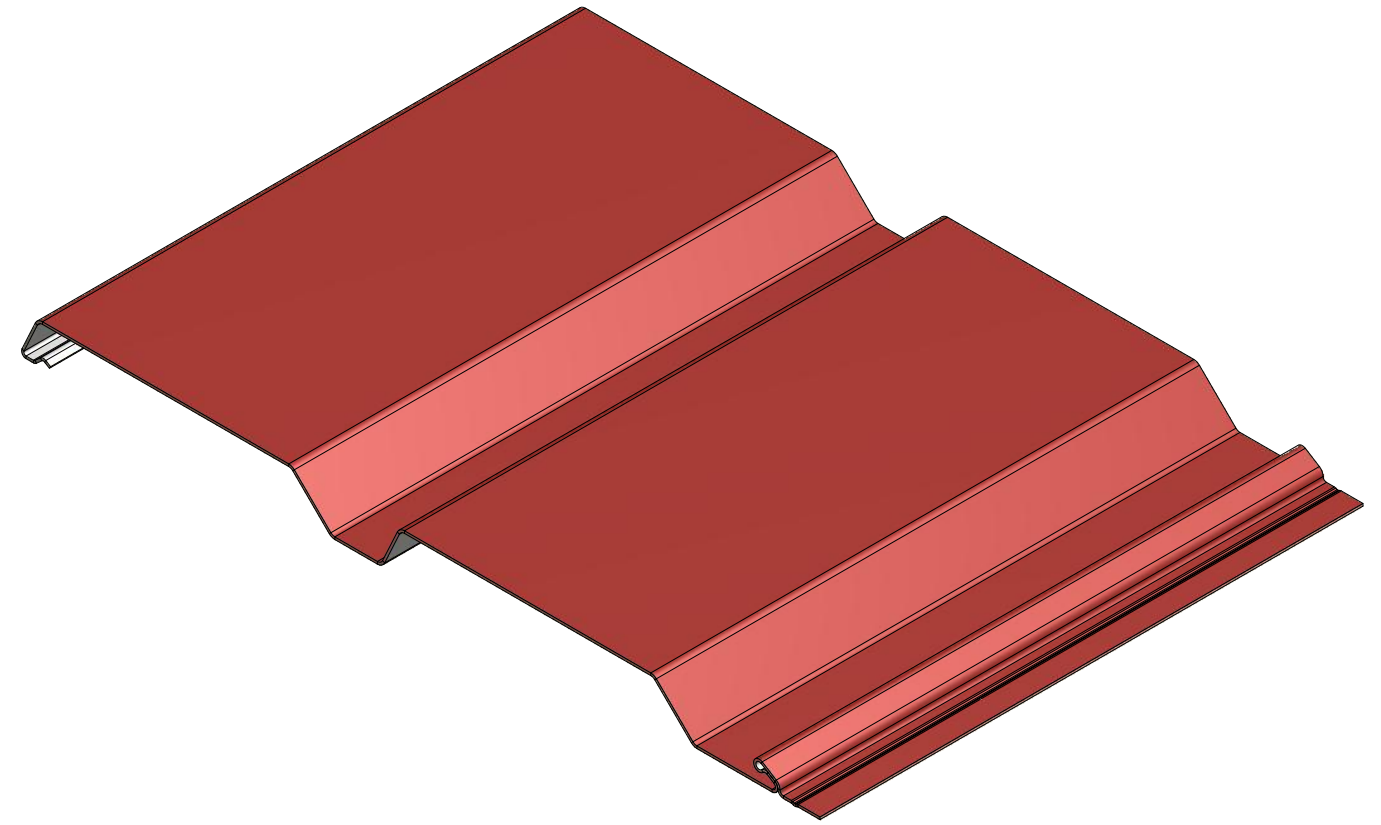


ATAS INTERNATIONAL, INC  
 Allentown PA  
 610-395-8445  
 Mesa AZ  
 480-558-7210

TITLE			Rigid Wall II Panel Detail		
DWG. NO.		DR		DATE	
		DMR		10/30/2017	
MATERIAL		APP		DATE	
		SH. SIZE		SCALE	
		B		X:X	

REV. NO.	DATE	DESCRIPTION OF REVISION	BY	APP

# MFN162 Panel

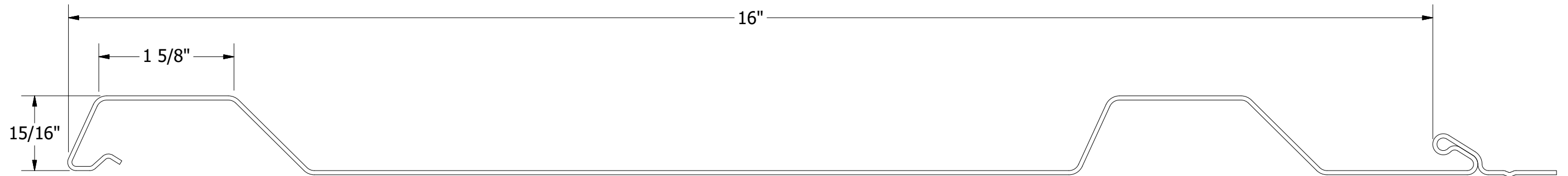
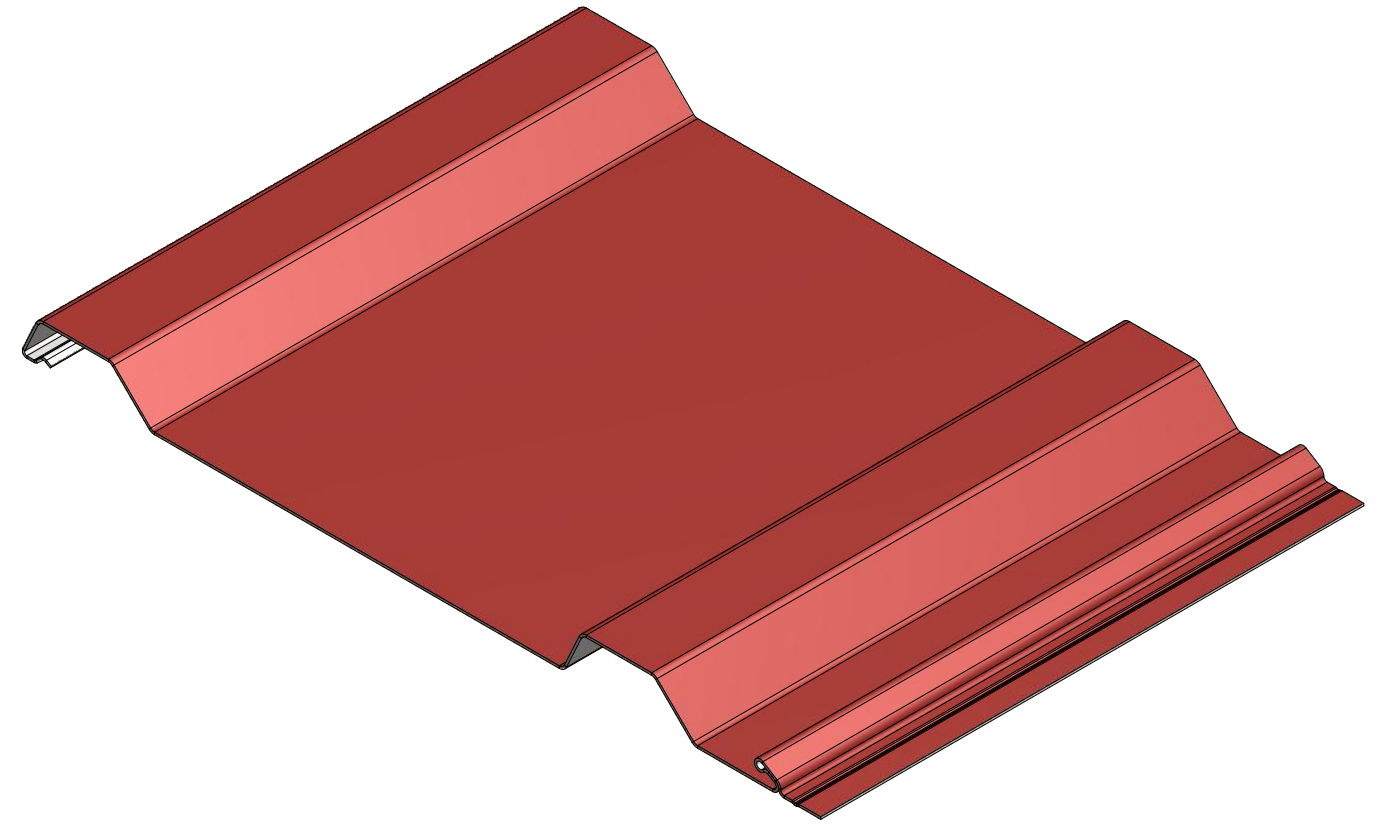


ATAS INTERNATIONAL, INC  
 Allentown PA  
 610-395-8445  
 Mesa AZ  
 480-558-7210

TITLE			Rigid Wall II Panel Detail		
DWG. NO.		DR		DATE	
		DMR		10/30/2017	
MATERIAL		APP		DATE	
		SH. SIZE		SCALE	
		B		X:X	

REV. NO.	DATE	DESCRIPTION OF REVISION	BY	APP

# MFN163 Panel

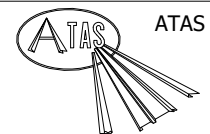
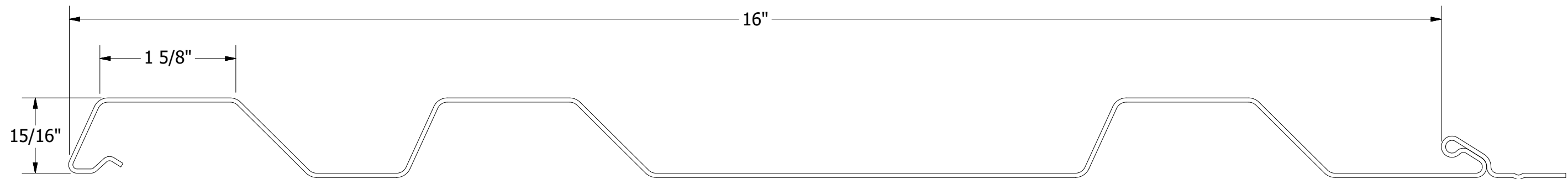
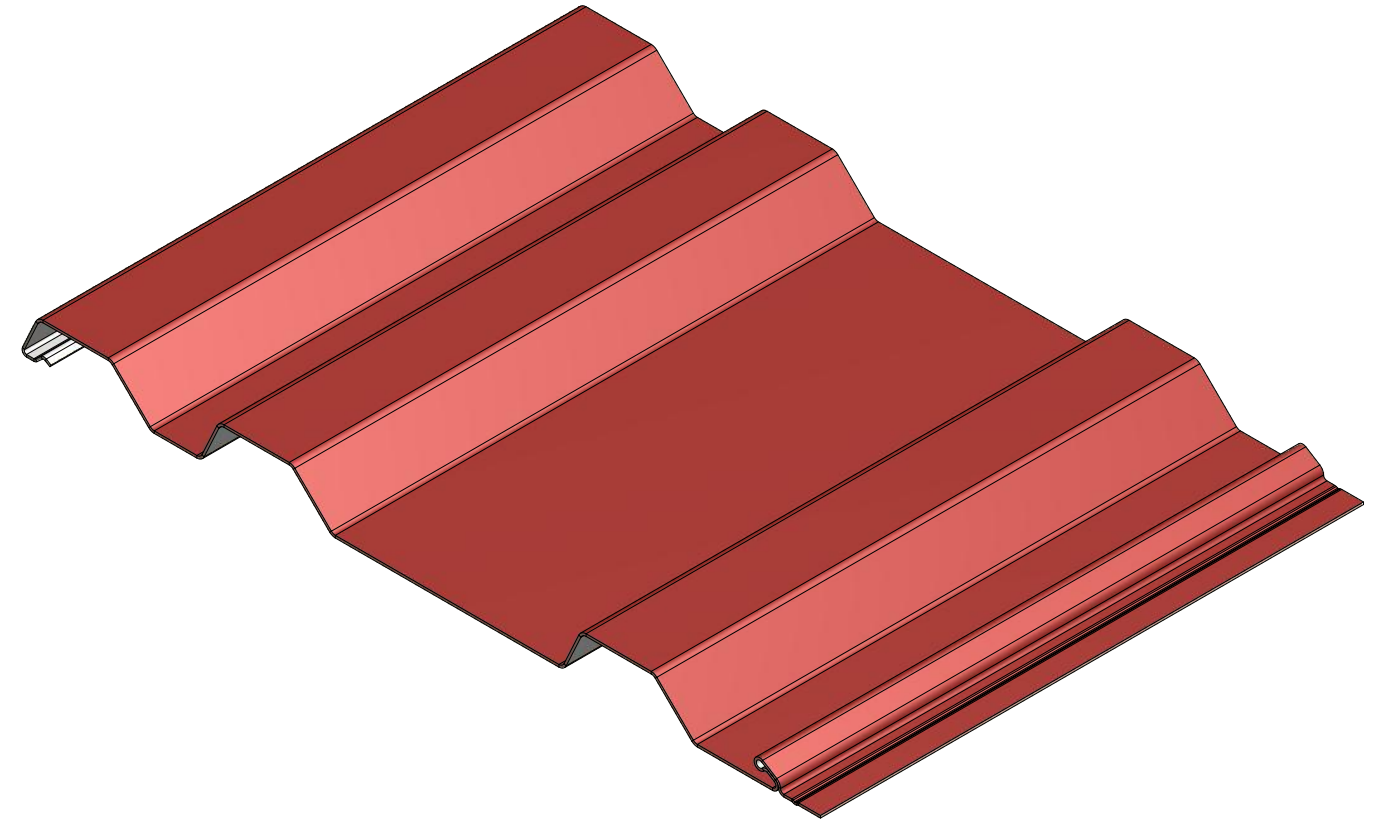



**ATAS INTERNATIONAL, INC**  
 Allentown PA  
 610-395-8445  
 Mesa AZ  
 480-558-7210

TITLE		<b>Rigid Wall II Panel Detail</b>	
DWG. NO.	DR	DATE	10/30/2017
	DMR	DATE	
MATERIAL	APP	DATE	
SH. SIZE	B	SCALE	X:X

REV. NO.	DATE	DESCRIPTION OF REVISION	BY	APP

# MFN164 Panel

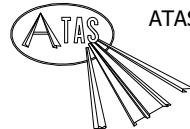
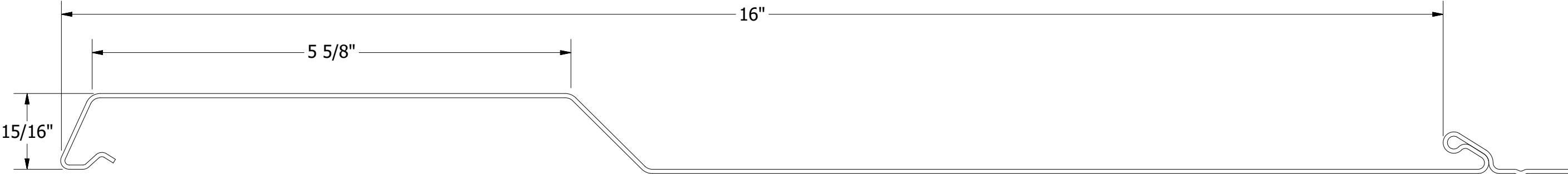
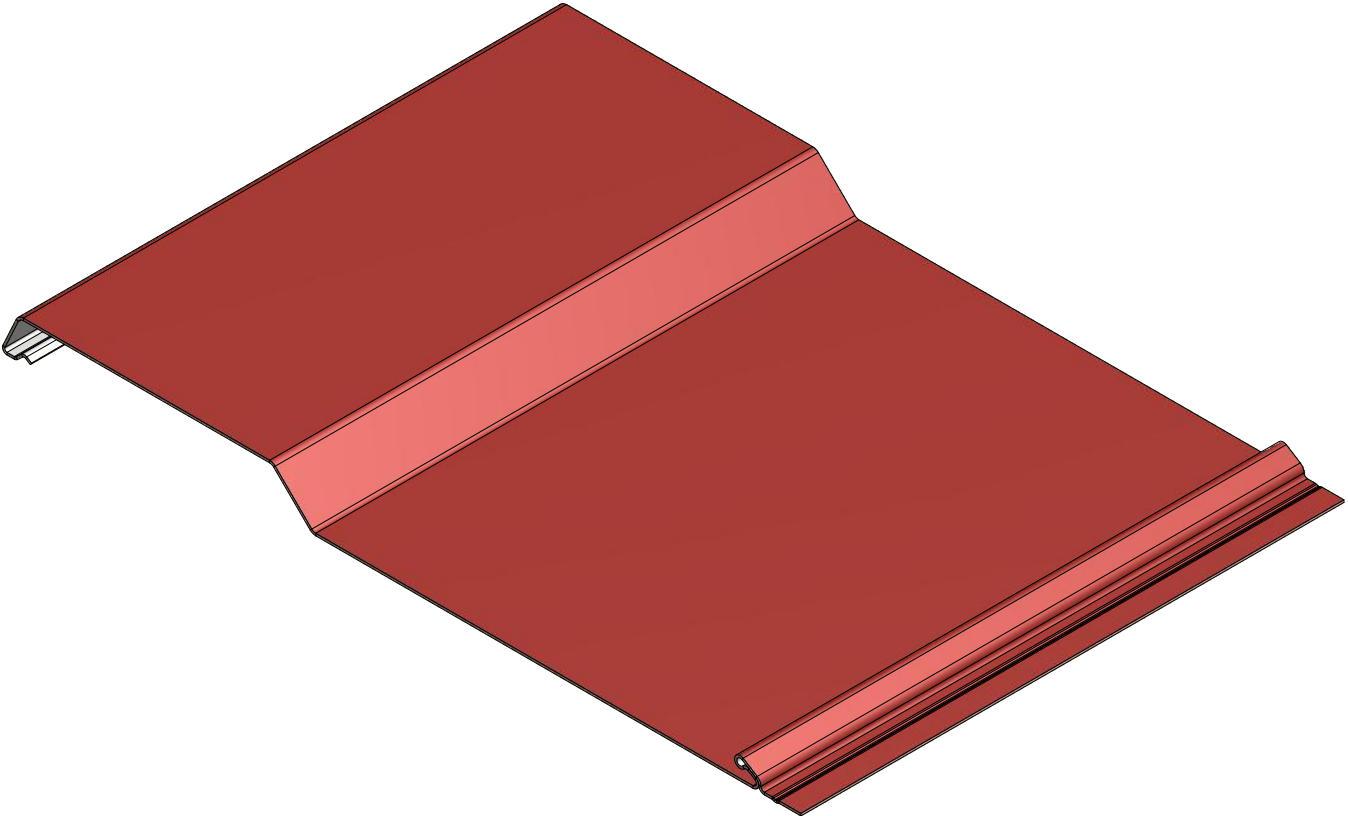


**ATAS INTERNATIONAL, INC**  
 Allentown PA  
 610-395-8445  
 Mesa AZ  
 480-558-7210

TITLE		<b>Rigid Wall II Panel Detail</b>	
DWG. NO.	DR	DATE	
	DMR	10/30/2017	
MATERIAL	APP	DATE	
	SH. SIZE	B	SCALE X:X

REV. NO.	DATE	DESCRIPTION OF REVISION	BY	APP

# MFN165 Panel

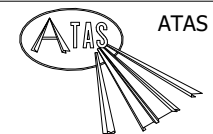
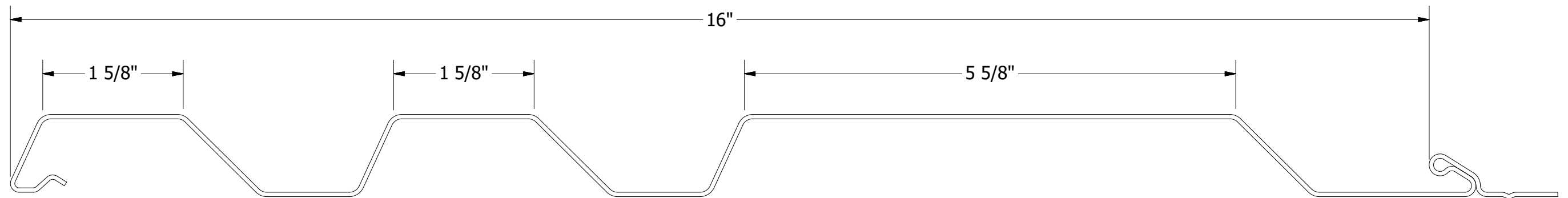
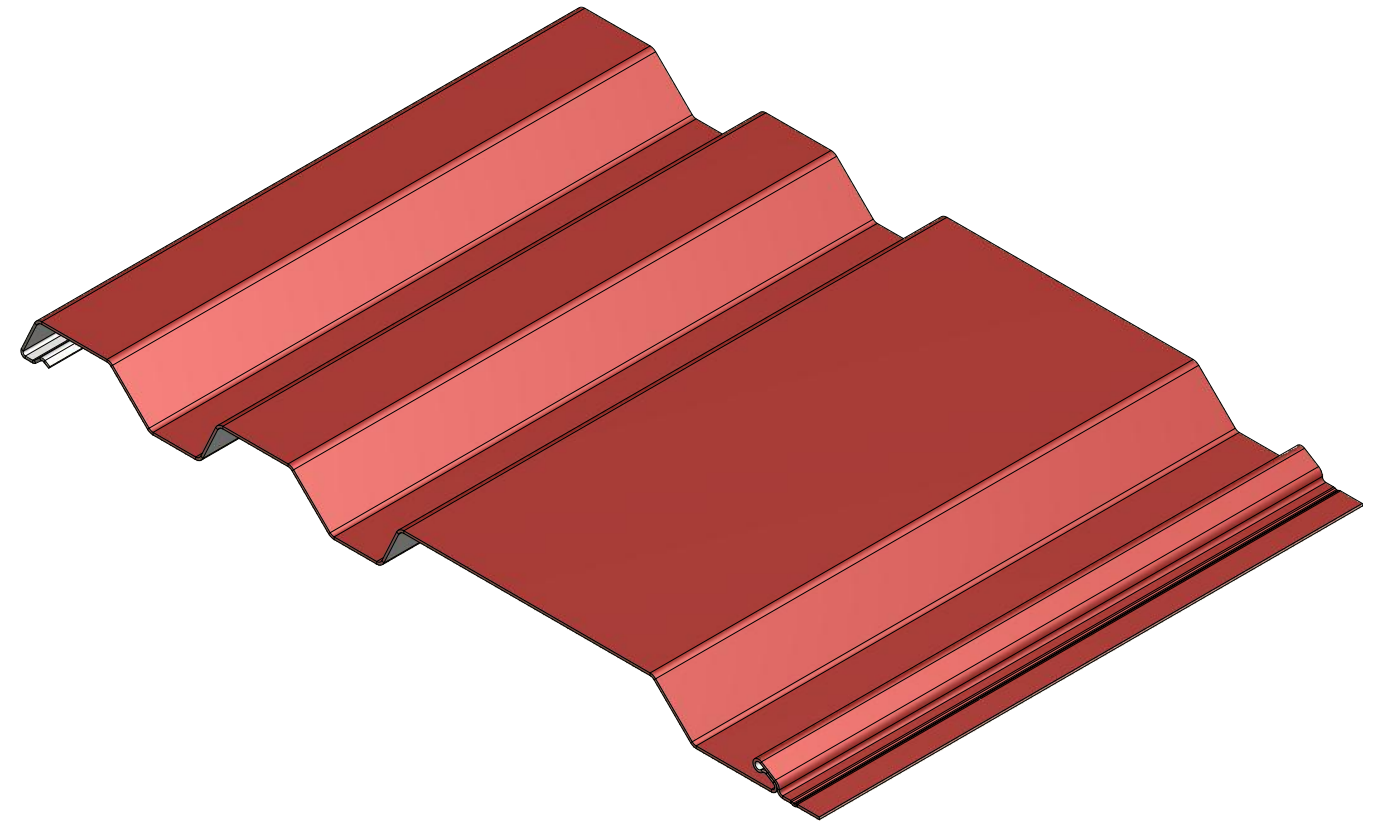


**ATAS INTERNATIONAL, INC**  
 Allentown PA  
 610-395-8445  
 Mesa AZ  
 480-558-7210

TITLE		<b>Rigid Wall II Panel Detail</b>	
DWG. NO.	DR	DATE	
	DMR	10/30/2017	
MATERIAL	APP	DATE	
	SH. SIZE	B	SCALE X:X

REV. NO.	DATE	DESCRIPTION OF REVISION	BY	APP

# MFN166 Panel

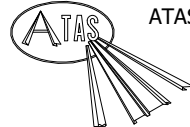
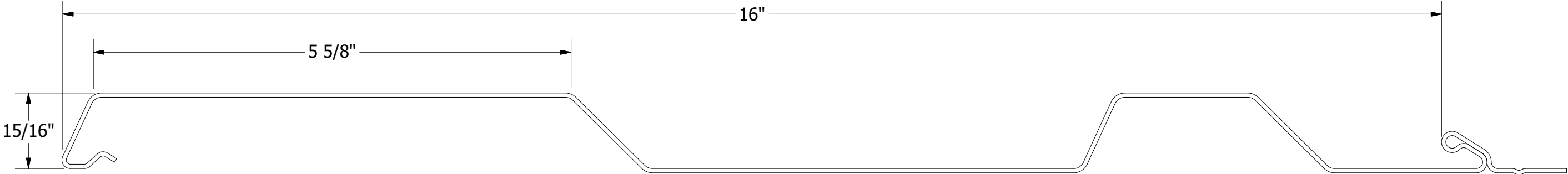
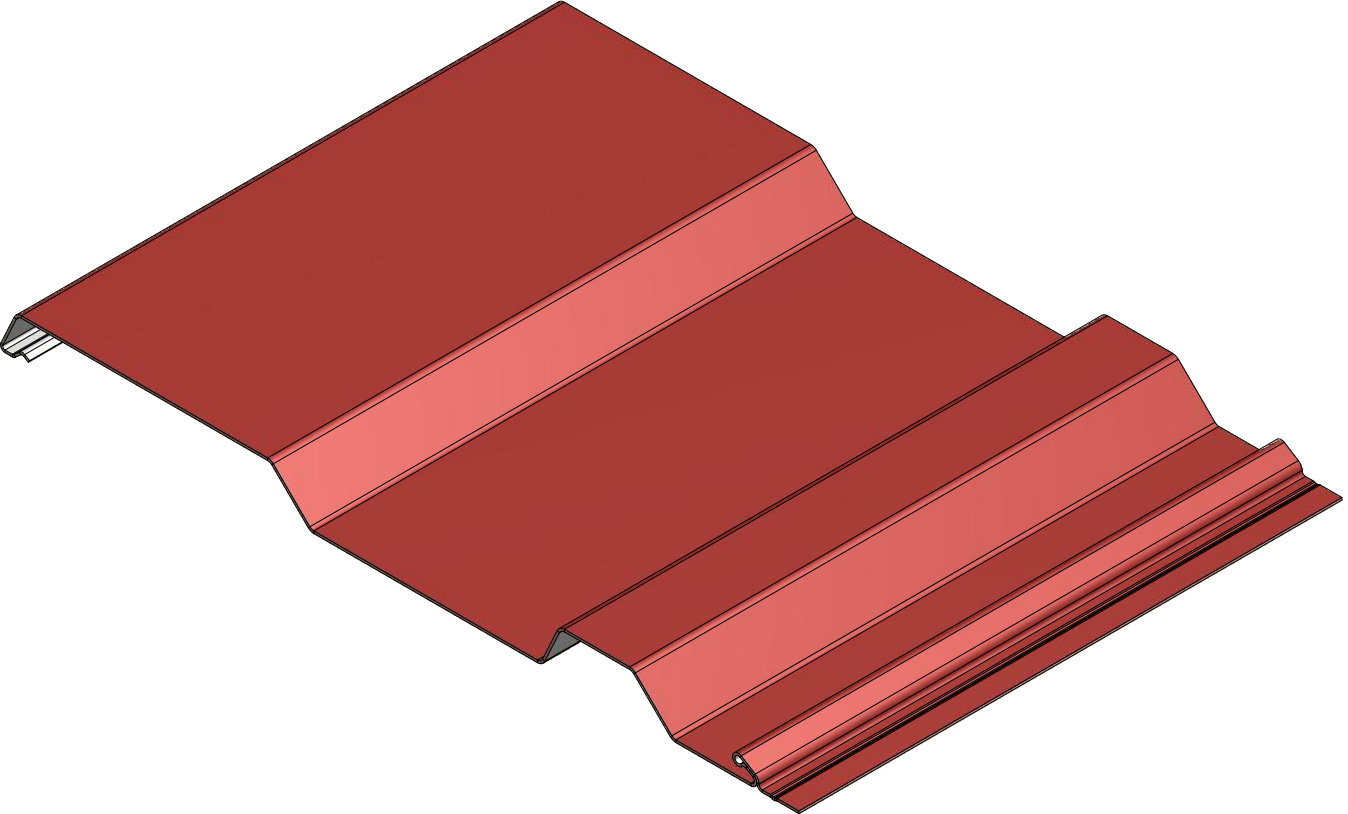


**ATAS INTERNATIONAL, INC**  
 Allentown PA  
 610-395-8445  
 Mesa AZ  
 480-558-7210

TITLE			Rigid Wall II Panel Detail		
DWG. NO.		DR		DATE	
		DMR		10/30/2017	
MATERIAL		APP		DATE	
		SH. SIZE		SCALE	
		B		X:X	

REV. NO.	DATE	DESCRIPTION OF REVISION	BY	APP

# MFN167 Panel



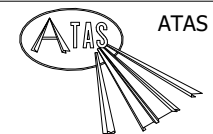
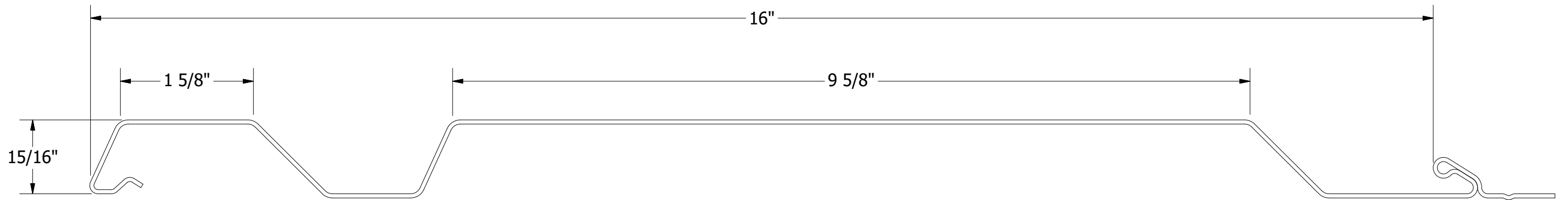
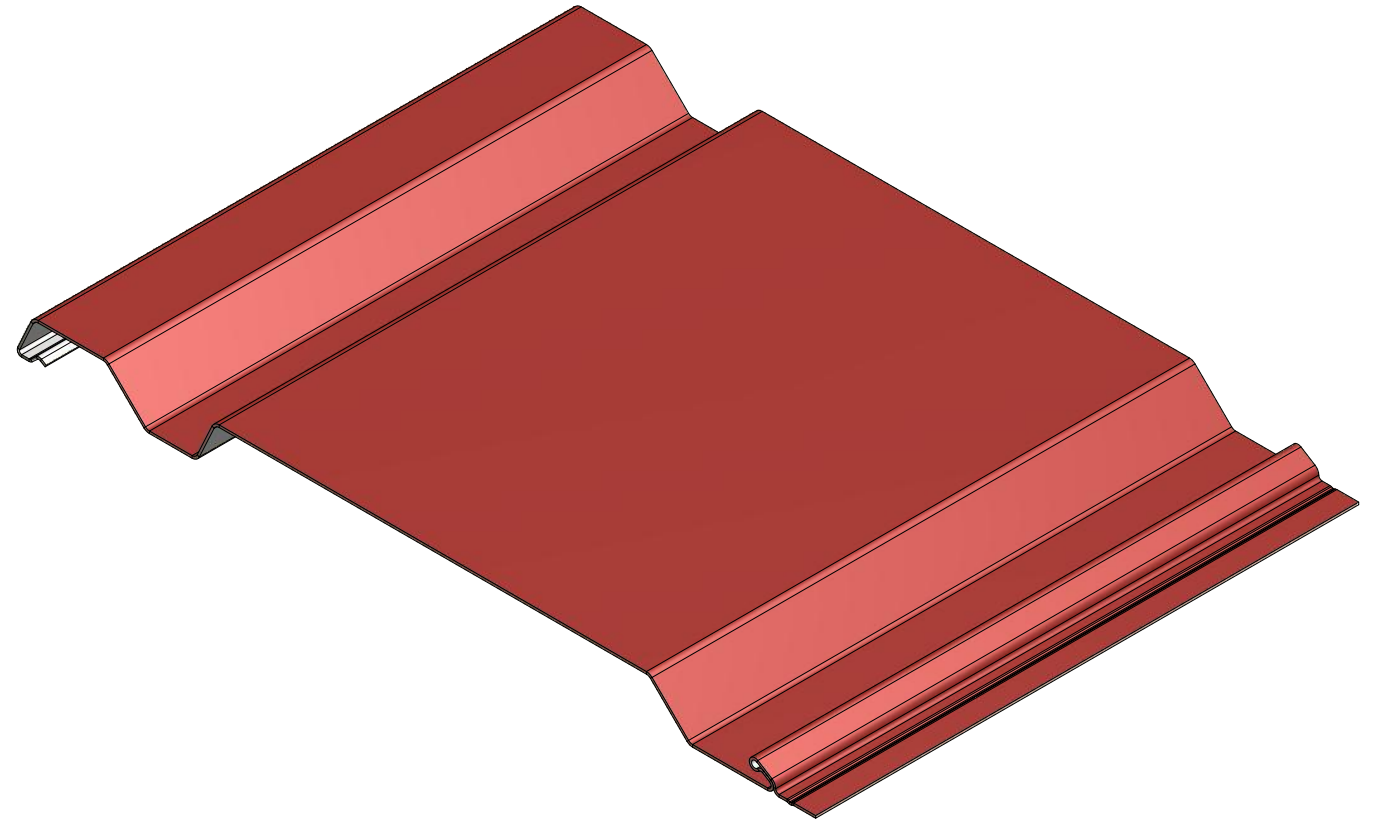
**ATAS INTERNATIONAL, INC**  
 Allentown PA  
 610-395-8445  
 Mesa AZ  
 480-558-7210

TITLE			Rigid Wall II Panel Detail		
DWG. NO.		DR		DATE	
		DMR		10/30/2017	
MATERIAL		APP		DATE	
		SH. SIZE		SCALE	
		B		X:X	

REV. NO.	DATE	DESCRIPTION OF REVISION	BY	APP



# MFN168 Panel

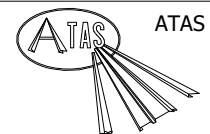
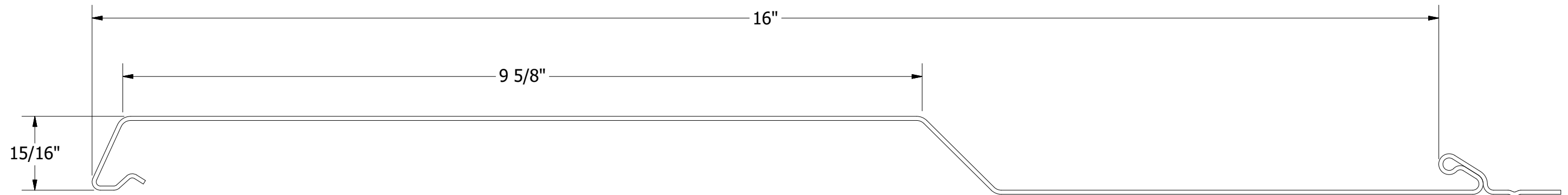
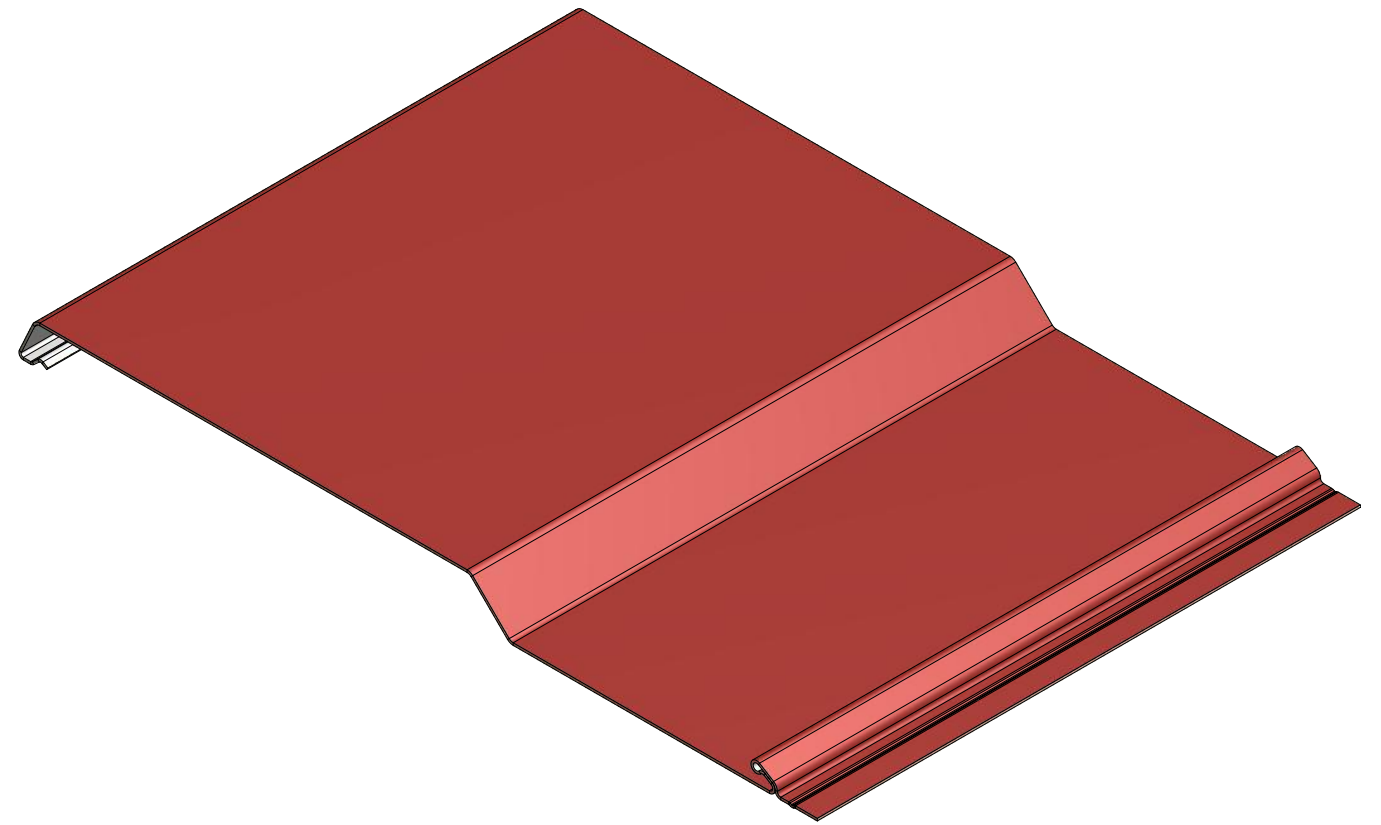


ATAS INTERNATIONAL, INC  
 Allentown PA  
 610-395-8445  
 Mesa AZ  
 480-558-7210

TITLE		Rigid Wall II Panel Detail	
DWG. NO.	DR	DATE	10/30/2017
MATERIAL	APP	DATE	
SH. SIZE	B	SCALE	X:X

REV. NO.	DATE	DESCRIPTION OF REVISION	BY	APP

# MFN169 Panel



ATAS INTERNATIONAL, INC  
 Allentown PA  
 610-395-8445  
 Mesa AZ  
 480-558-7210

TITLE		Rigid Wall II Panel Detail	
DWG. NO.	DR	DATE	10/30/2017
	DMR	DATE	
MATERIAL	APP	SH. SIZE	B
		SCALE	X:X

REV. NO.	DATE	DESCRIPTION OF REVISION	BY	APP