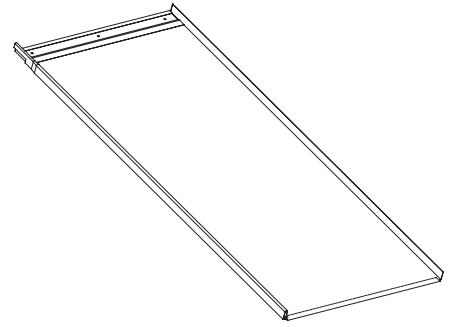


Standing Seam Shingle Estimating Sheet



Panels

Roof Areas :

_____ x _____ = _____ sqft

_____ x _____ = _____ sqft

_____ x _____ = _____ sqft

_____ x _____ = _____ sqft

_____ x _____ = _____ sqft

_____ x _____ = _____ sqft

_____ x _____ = _____ sqft

Total Roof Area = _____ sqft

Total Cartons

3' Panels = Eave Length x 0.0385 = _____ cartons (round to nearest full carton)

5' Panels = Panel Square Footage - (3' cartons x 40) div. by 67 = _____ cartons (round to nearest full carton)

Trim Components

Eave _____ Ridge _____

Gable _____ Hip _____

Headwall _____ Sidewall _____

Valley _____ Shed Ridge _____

Enter total footage required for each condition listed above

Panel Square Footage HSS163 / HSS166

Total Roof Area x 1.10 = _____ sqft

Eave

HSA112 Drip edge Eave div. by 11.5 = _____ pcs @ 12'-0"

Gable

HSA112 Drip Edge Gable div. by 11.5 = _____ pcs @ 12'-0"

HSA234 Gable / Utility Trim Gable div. by 11.5 = _____ pcs @ 12'-0"

Ridge / Hip

HSA300 Ridge/ Hip Cap (Ridge + Hip) div. by 11.5 = _____ pcs @ 12' - 0"

HSA930 Pocket Closure Zee Ridge / Hip Cap x 2 = _____ pcs @ 12' - 0"

Headwall

HSA510 Headwall Headwall div. by 11.5 = _____ pcs @ 12'-0"

*HSA930 Pocket Closure Zee Same quantity as Headwall = _____ pcs @ 10'-0"

Sidewall

HSA410 Sidewall Sidewall div. by 11.5 = _____ pcs @ 12'-0"

*HSA234 Gable / Utility Trim Same quantity as Sidewall = _____ pcs @ 10'-0"

Valley

HSA800 Valley Valley div. by 11.5 = _____ pcs @12'-0"

HSA975 Joggle Cleat Valley x 2 = _____ pcs @12'-0"

Shed Ridge

HSA342 Shed Ridge Shed Ridge div. by 11.5 = _____ pcs @12'-0"

HSA930 Pocket Closure Zee Same quantity as Shed Ridge = _____ pcs @10'-0"

*In some situations the HSA910 Standard Zee Closure may be required at roof penetration headwall or sidewall details.

Accessories

HSC903 Side Seam Clips 5' cartons x 50 + 3' cartons x 30 = _____ pcs (round to nearest 50)

RSS214 #10 x 1 1/8" ULP Screws Total Clips x 1.15 = _____ pcs (round to nearest 100)

RSR3xx Rivets Total Roof Area div. by 15 = _____ pcs (round to nearest 50)

RSC312 Butyl Tape 50' (HSA910 Standard Zee Closure + HSA234 Utility Trim + HSA975 Joggle Cleat)
div. by 4.5 = _____ rolls

RST2XX Touch up Paint 2 oz. _____ ea

SWR8XX 7/8" Ptd Gasketed Stitch Screw _____ ea

SWR9XX 2" Ptd Gasketed Screw = _____ pcs (round to nearest 100)