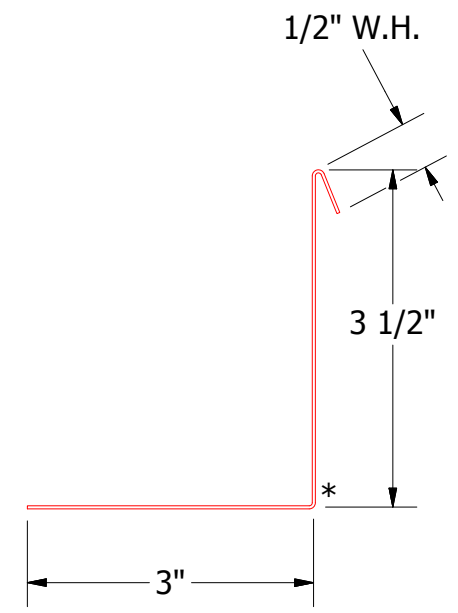
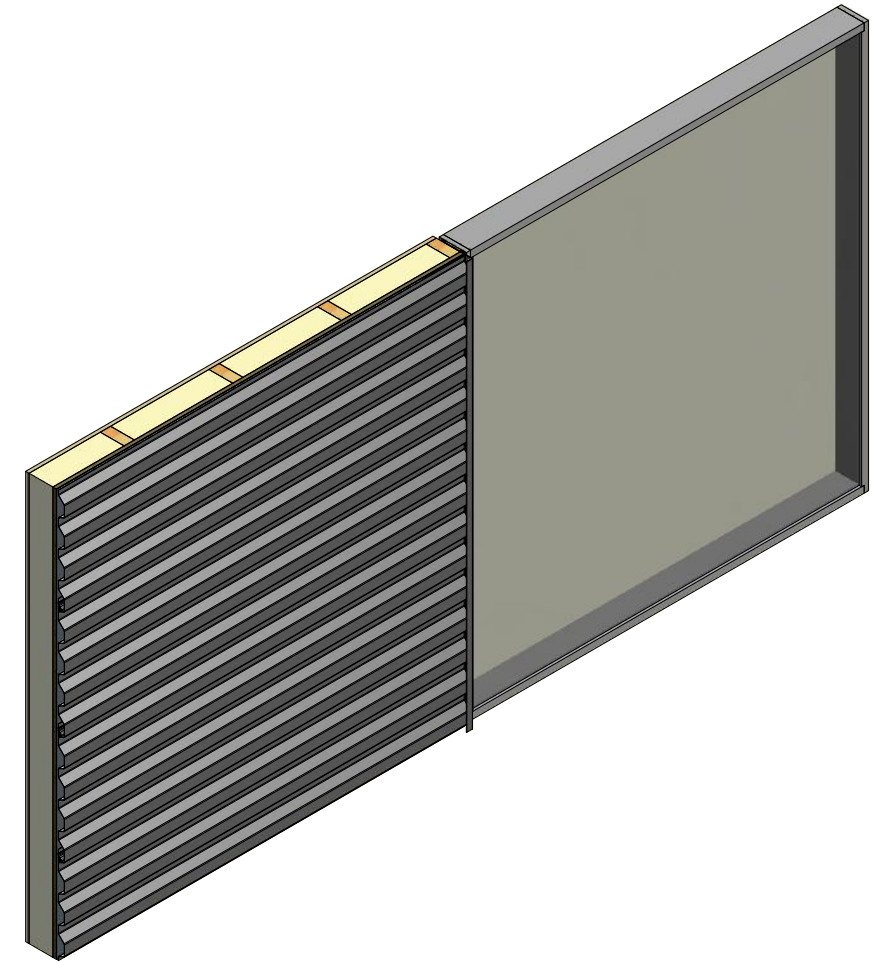
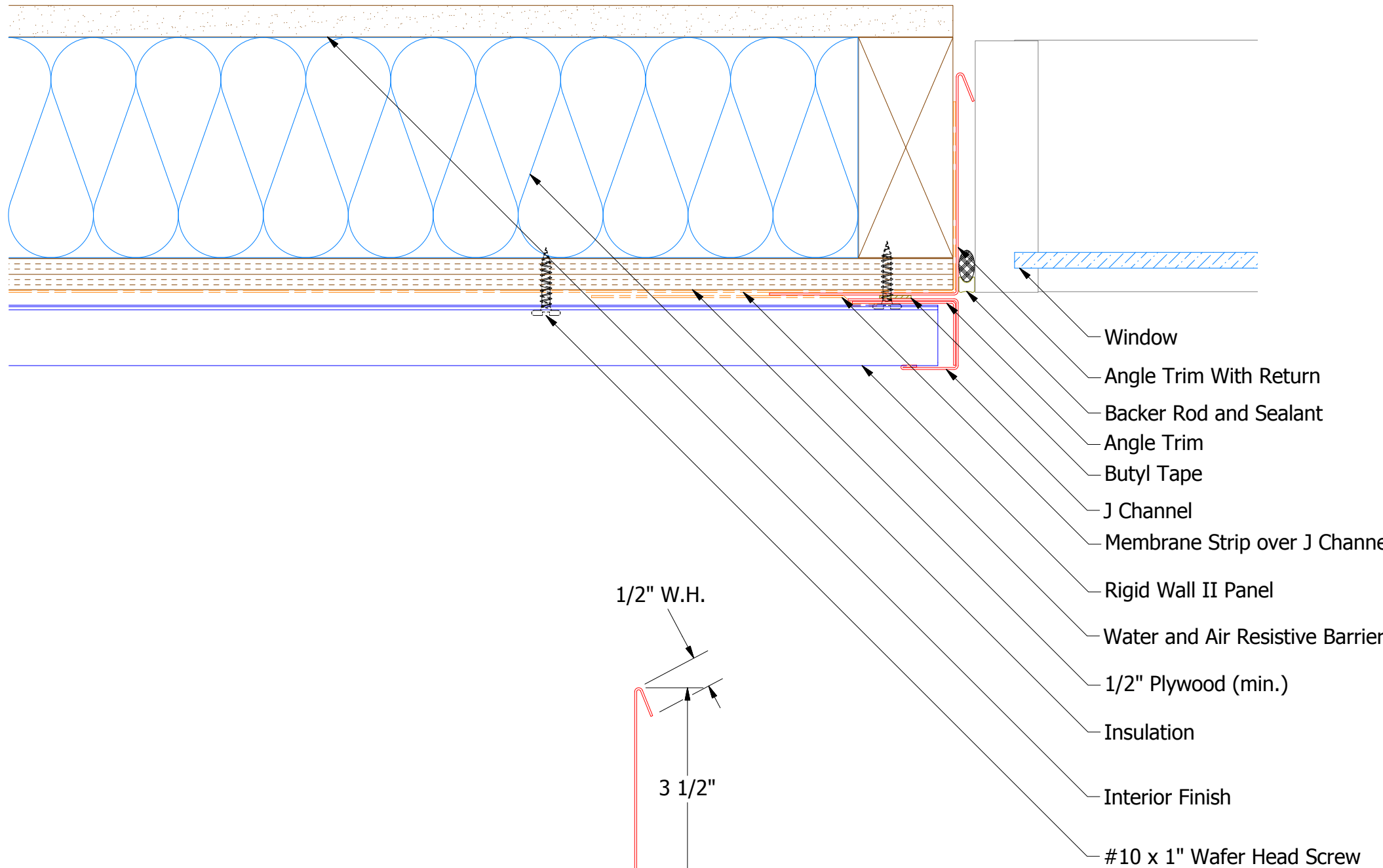
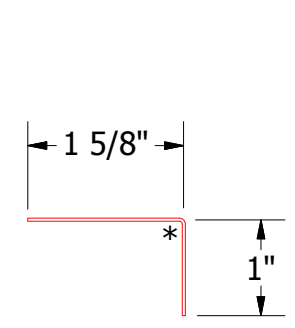


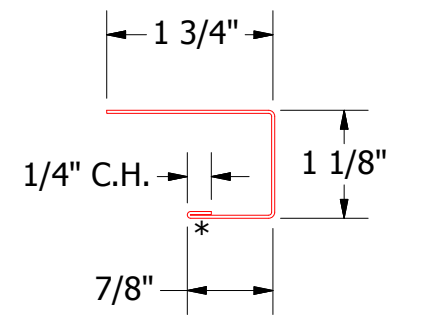
Horizontal Panel



MCA683 - Angle Trim With Return



MCA680 - Angle Trim



MCA118 - J Channel

ATAS ATAS INTERNATIONAL, INC
 Allentown PA
 610-395-8445
 Mesa AZ
 480-558-7210

TITLE					Rigid Wall II Jamb Detail					
DWG. NO.					DR		DATE		7/11/2016	
					APP		DATE		7/25/16	
MATERIAL					SH. SIZE		SCALE		X:X	
REV. NO.	DATE	DESCRIPTION OF REVISION	BY	APP						