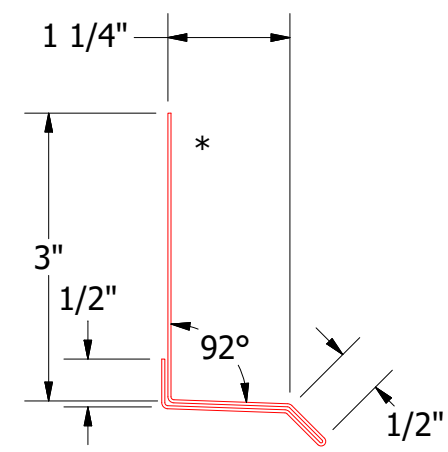
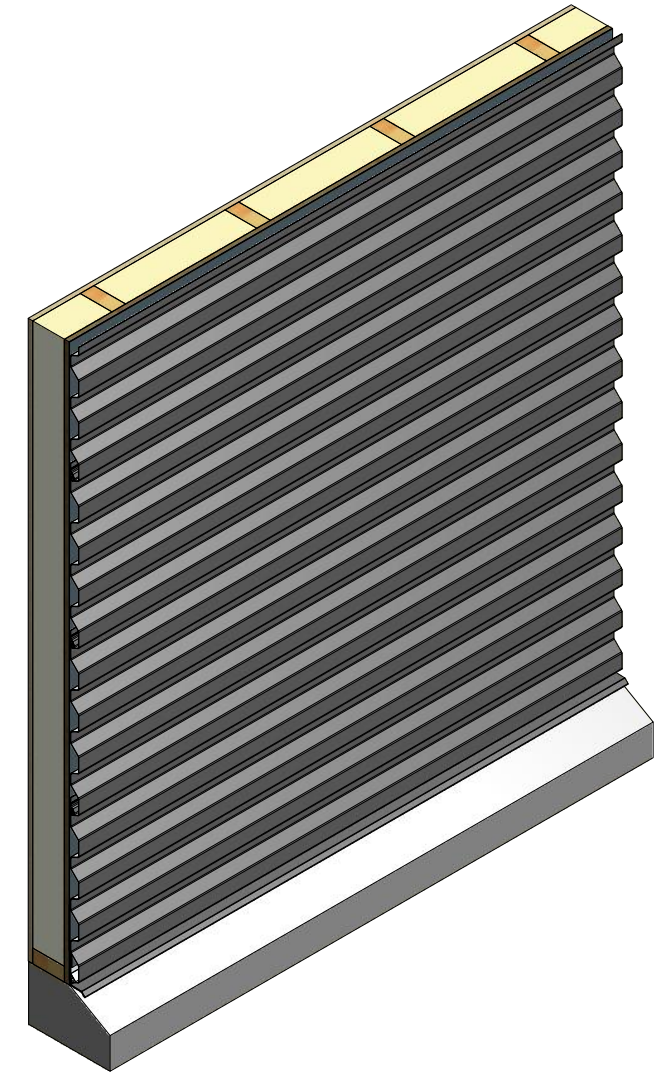
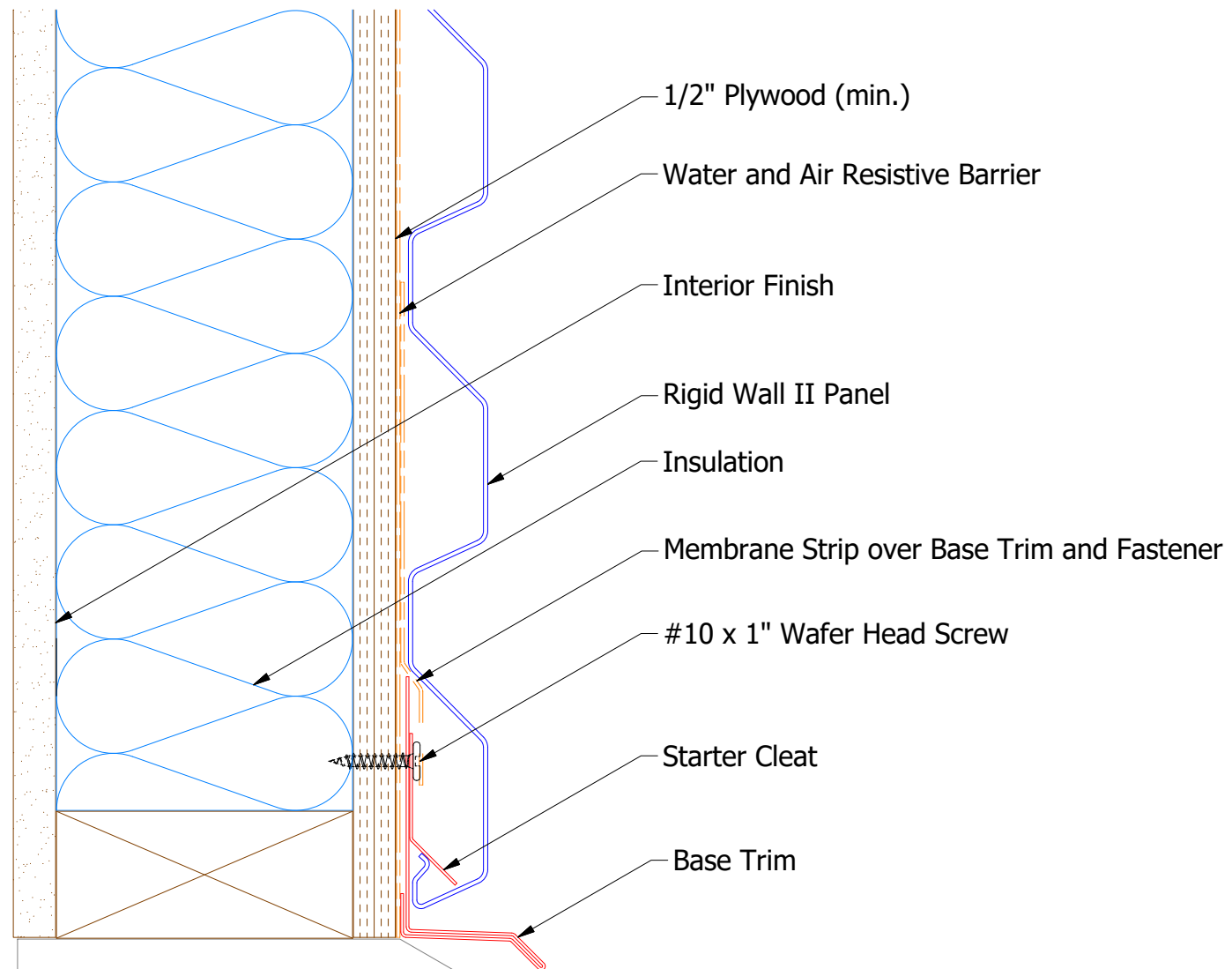
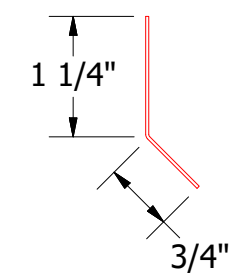


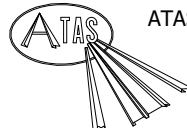
Horizontal Panel



MCA661 - Base Trim



MCA995 - Starter Cleat

 ATAS INTERNATIONAL, INC Allentown PA 610-395-8445 Mesa AZ 480-558-7210		TITLE	
		Rigid Wall II Base Detail	
DWG. NO.	DR	DATE	
	DMR	7/11/2016	
MATERIAL	APP	DATE	
	DAS	7/25/16	
REV. NO.	DATE	DESCRIPTION OF REVISION	BY APP
	SH. SIZE	B	SCALE
			X:X