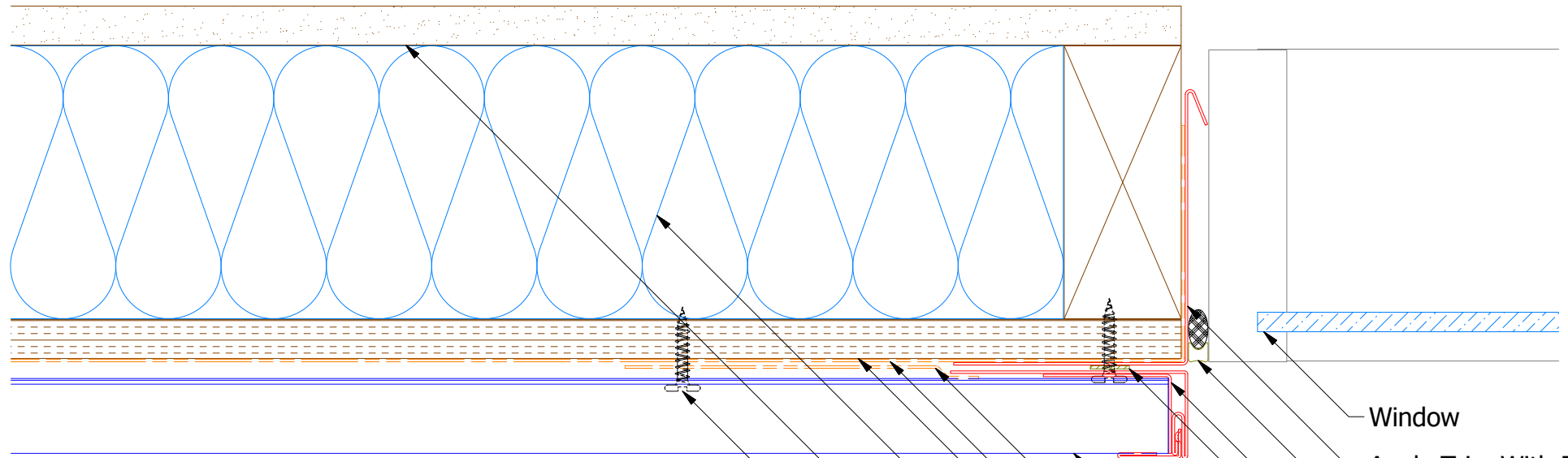
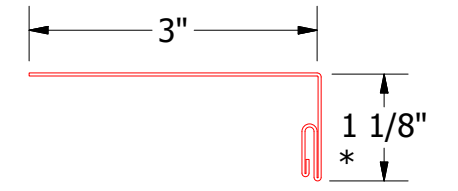
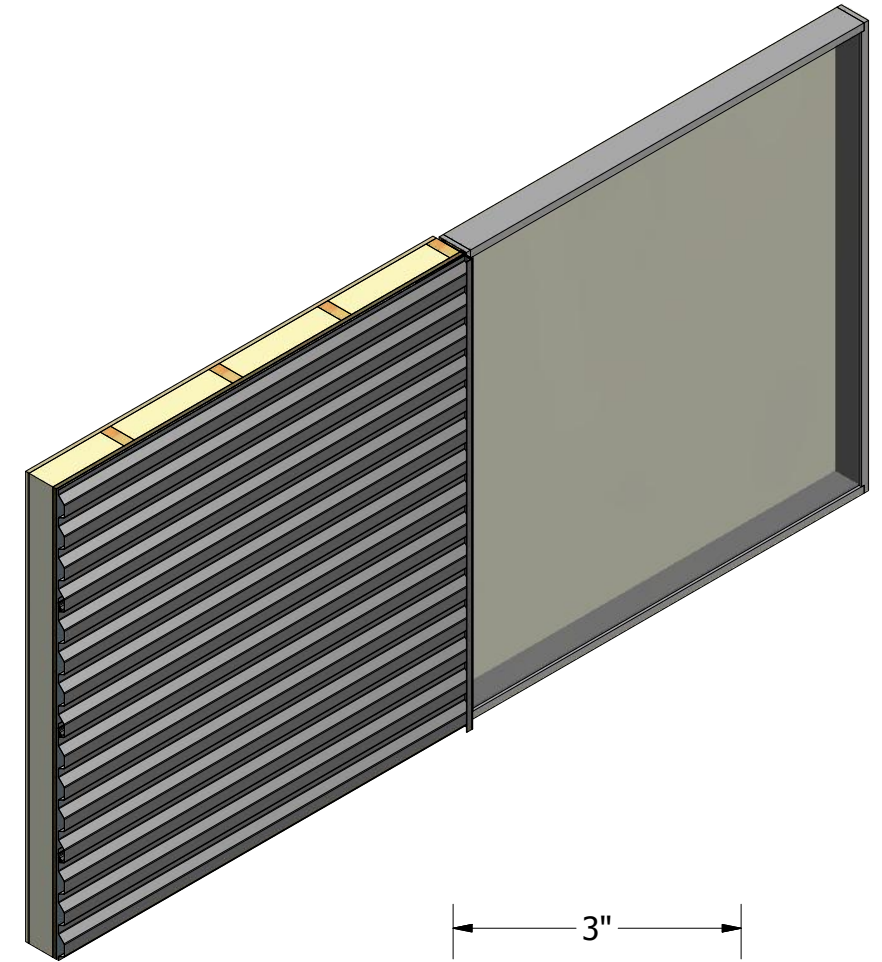


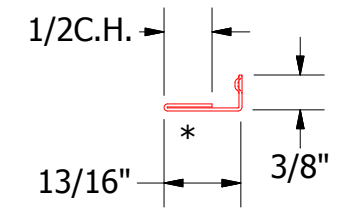
Horizontal Panel - Alternate



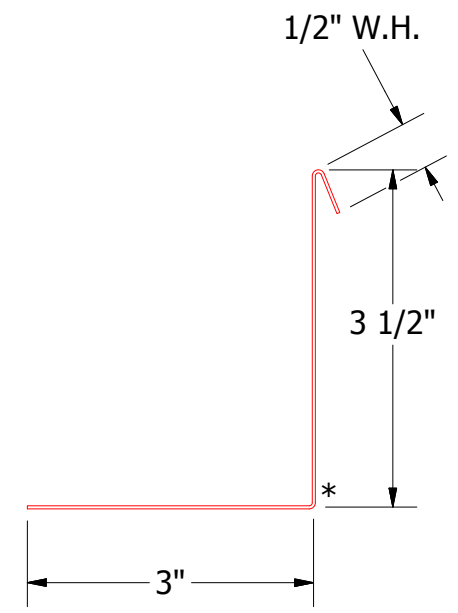
- Window
- Angle Trim With Return
- Backer Rod and Sealant
- Angle Trim
- Butyl Tape
- Snap J Channel
- Rigid Wall II Panel
- Membrane Strip over Snap J Channel
- Water and Air Resistive Barrier
- 1/2" Plywood (min.)
- Insulation
- Interior Finish
- #10 x 1" Wafer Head Screw



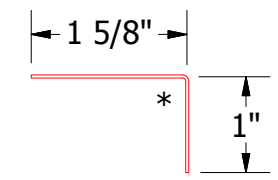
MCA119 - Snap J Base



UNS078 - Snap J Cover



MCA683 - Angle Trim With Return



MCA680 - Angle Trim

REV. NO.	DATE	DESCRIPTION OF REVISION	BY	APP

ATAS INTERNATIONAL, INC
 Allentown PA
 610-395-8445
 Mesa AZ
 480-558-7210

TITLE: **Rigid Wall II Jamb Alt Detail**

DWG. NO.	DR	DATE
	DMR	7/11/2016
MATERIAL	APP	DATE
	DAS	7/25/16
	SH. SIZE	SCALE
	B	X:X