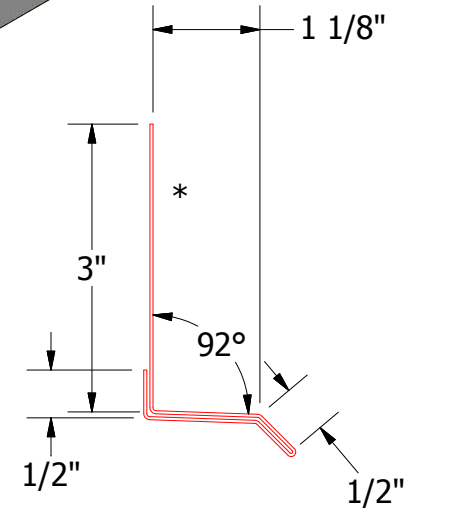
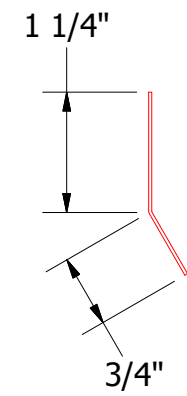
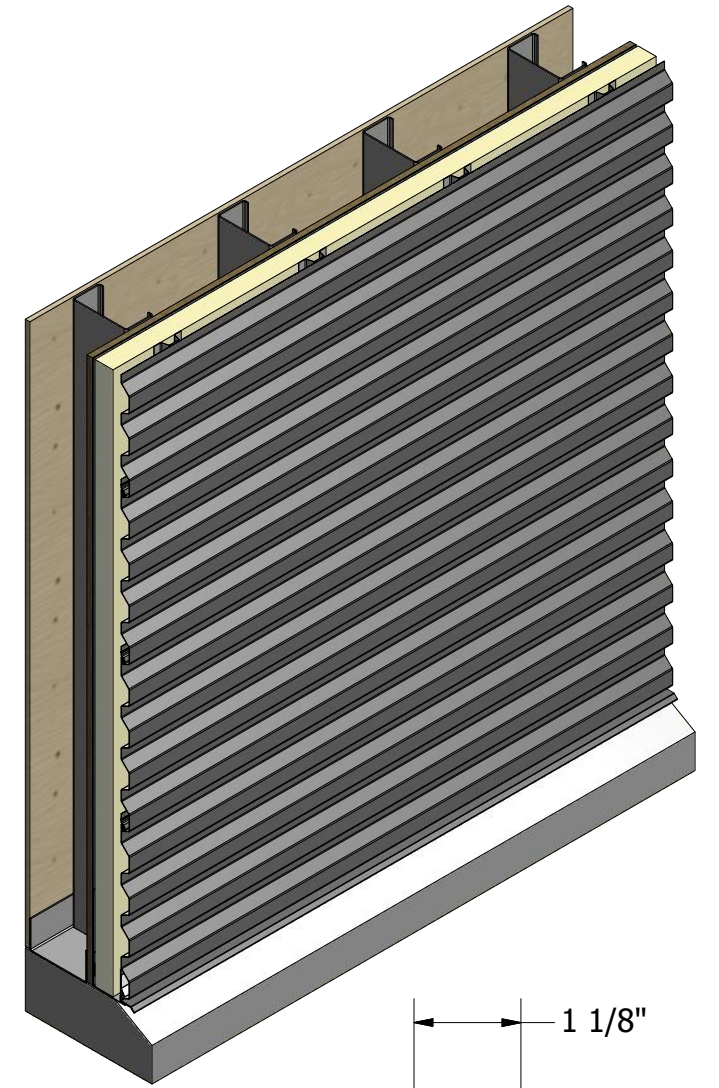
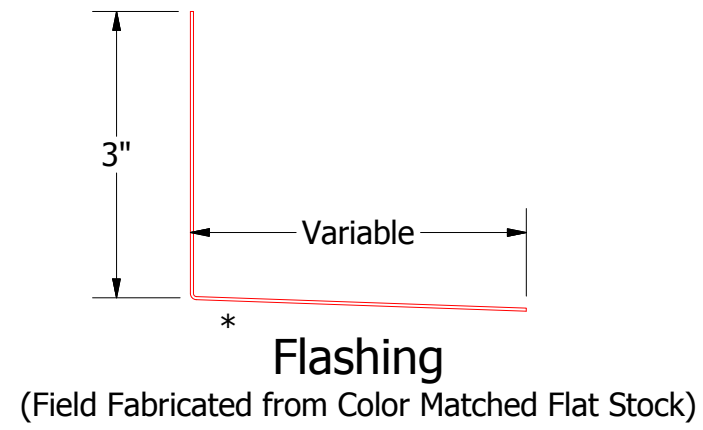
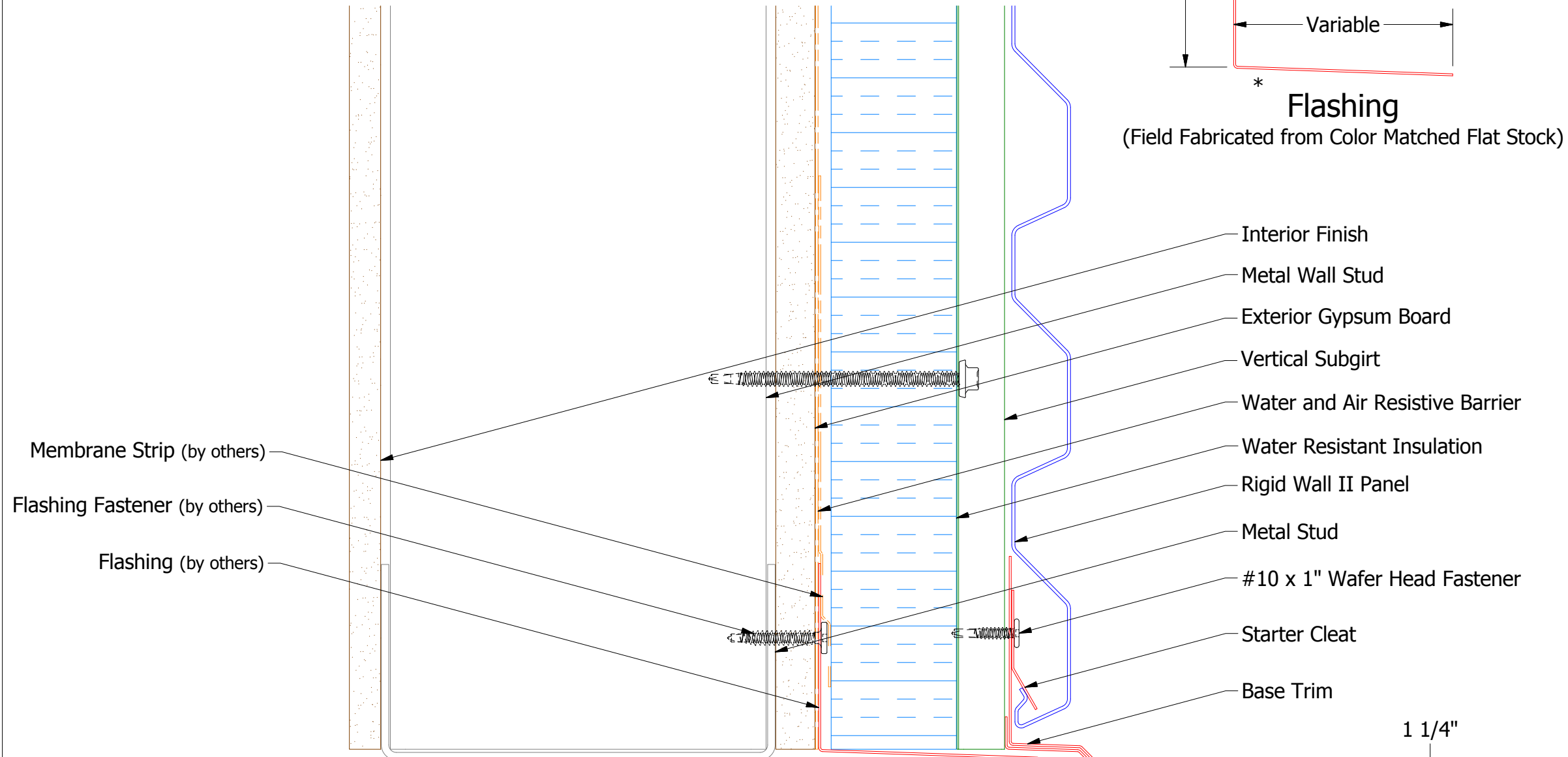


Horizontal Panel



2 Stage Method of Weather Proofing

ATAS ATAS INTERNATIONAL, INC
 Allentown PA
 610-395-8445
 Mesa AZ
 480-558-7210

TITLE Rigid Wall II Base Detail			
DWG. NO.	DR KRK	DATE 3/10/2015	
	APP	DATE	
MATERIAL	SH. SIZE B	SCALE X:X	

REV. NO.	DATE	DESCRIPTION OF REVISION	BY	APP