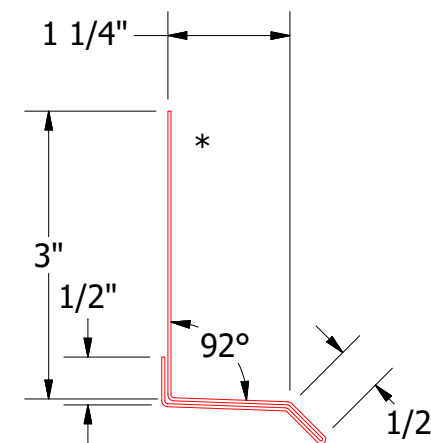
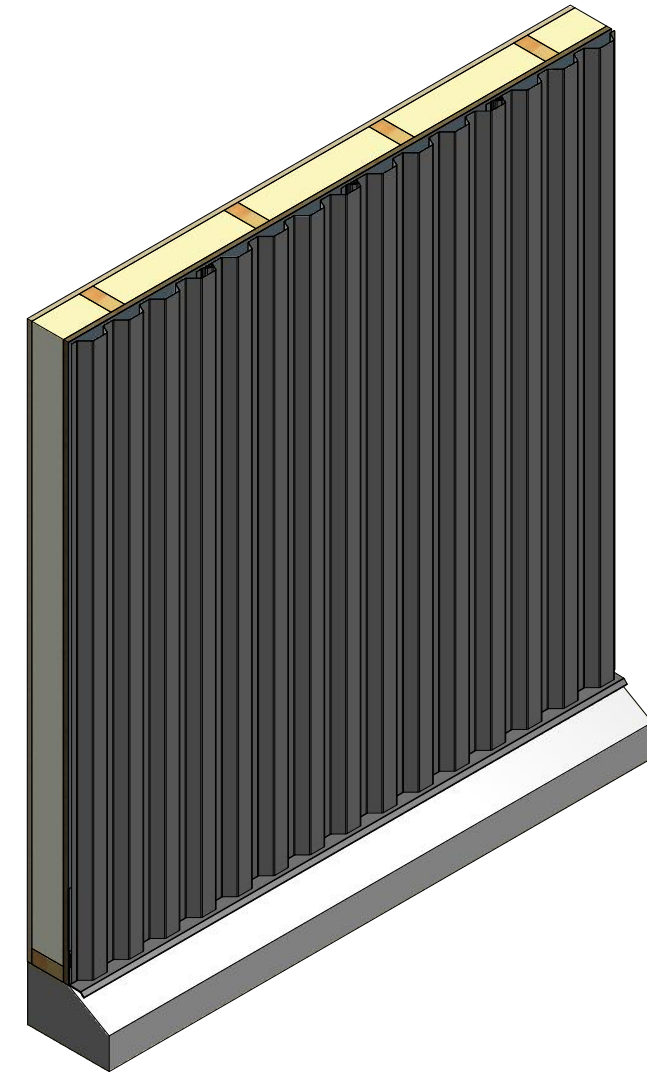
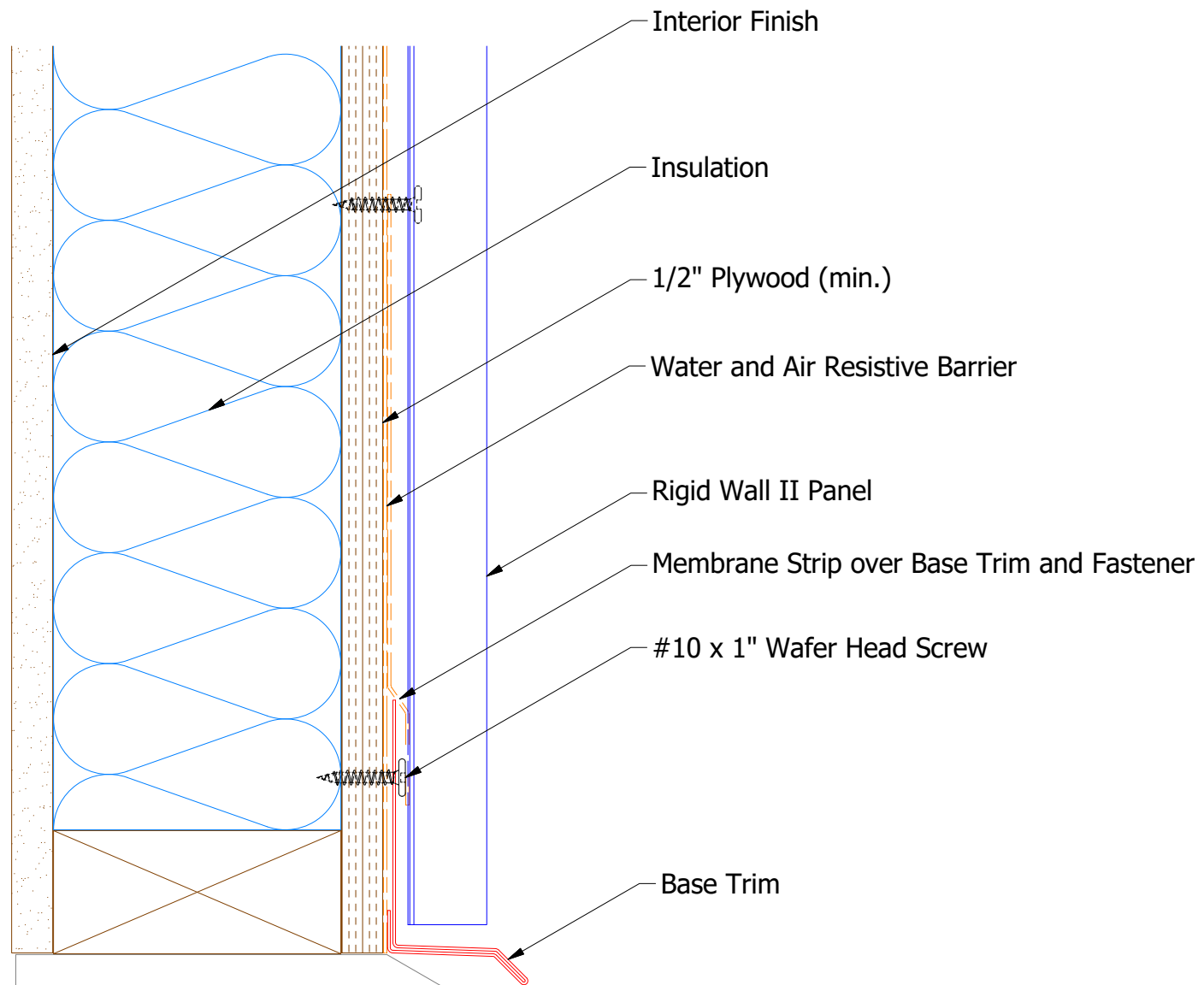


# Vertical Panel



MCA661 - Base Trim



ATAS INTERNATIONAL, INC  
 Allentown PA  
 610-395-8445  
 Mesa AZ  
 480-558-7210

TITLE		Rigid Wall II Base Detail	
DWG. NO.	DR	DMR	DATE 7/11/2016
	APP	DAS	DATE 7/25/16
MATERIAL	SH. SIZE	B	SCALE X:X

REV. NO.	DATE	DESCRIPTION OF REVISION	BY	APP