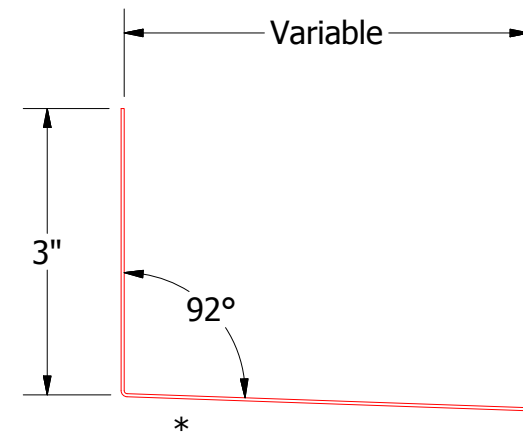
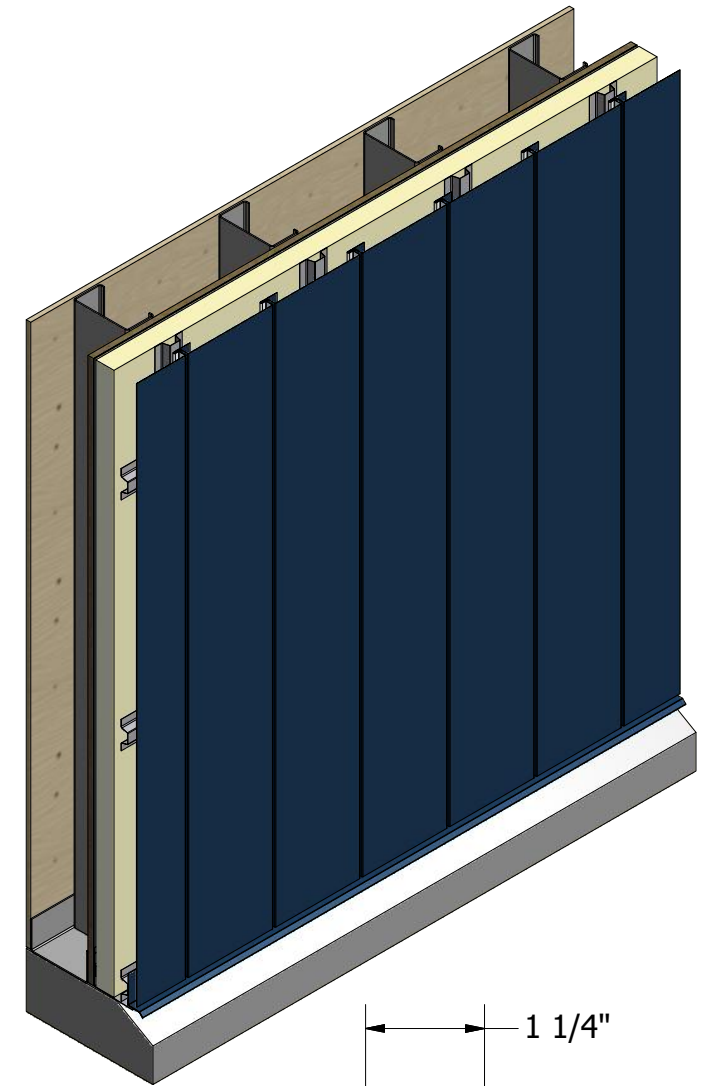
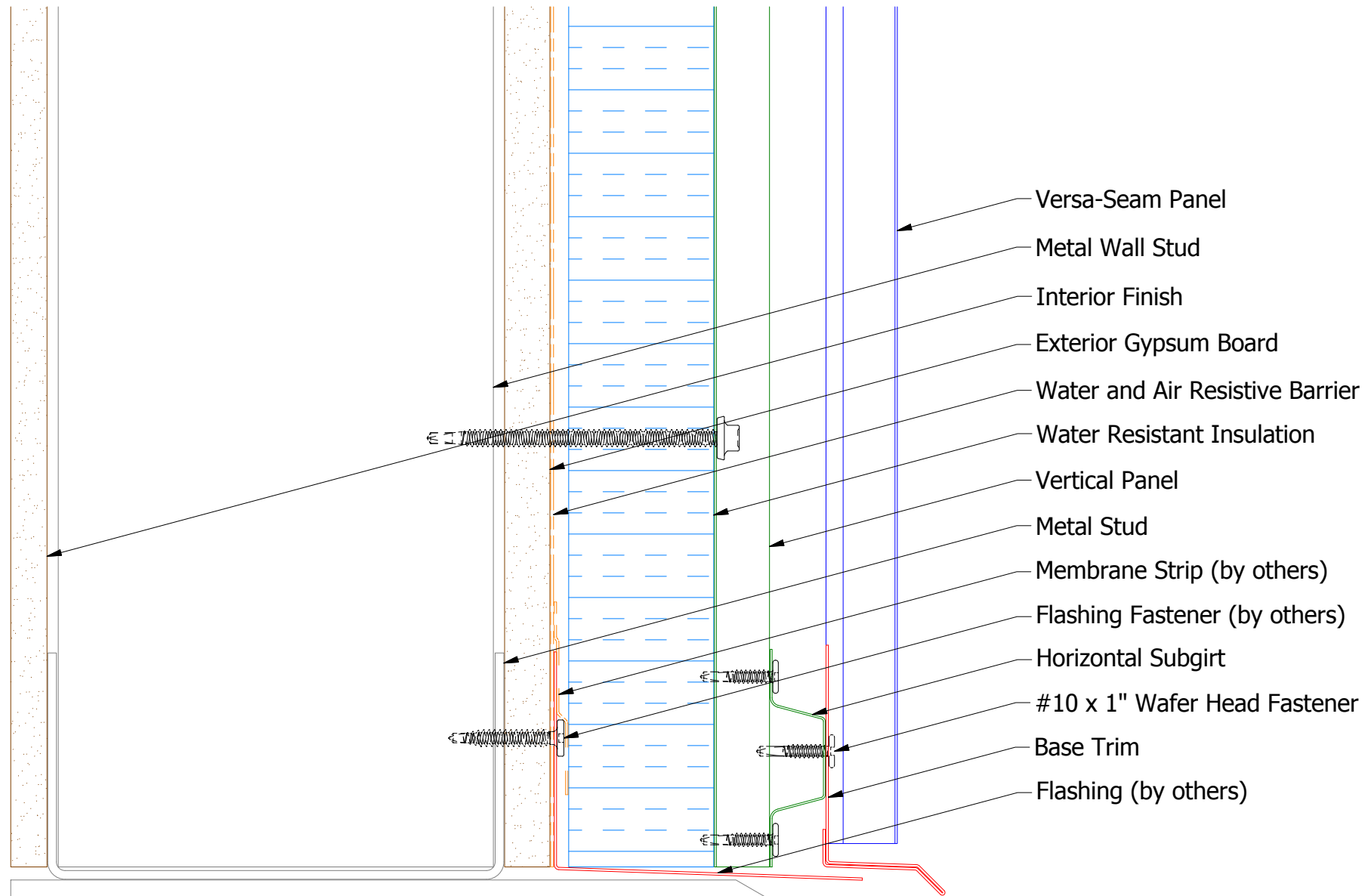
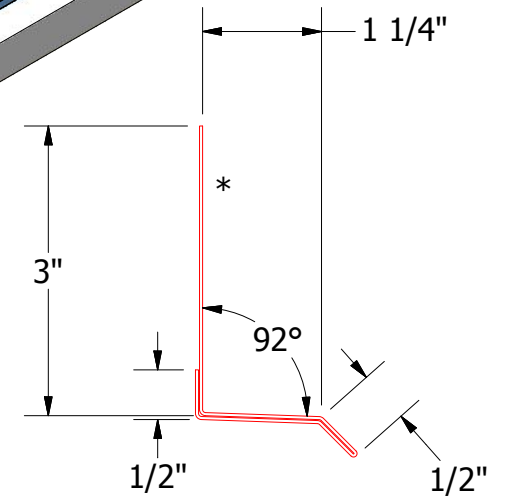


Vertical Panel



Flashing
(Field Fabricated From Color Matched Flat Stock)



VSA661-Base Trim

2 Stage Method of Weather Proofing



ATAS INTERNATIONAL, INC
Allentown PA
610-395-8445
Mesa AZ
480-558-7210

TITLE **Versa-Seam Base Detail**

REV. NO.	DATE	DESCRIPTION OF REVISION	BY	APP	DWG. NO.	DR	DATE
						KRK	7/25/2014
					MATERIAL	APP	DATE
					SH. SIZE	B	SCALE
							X:X