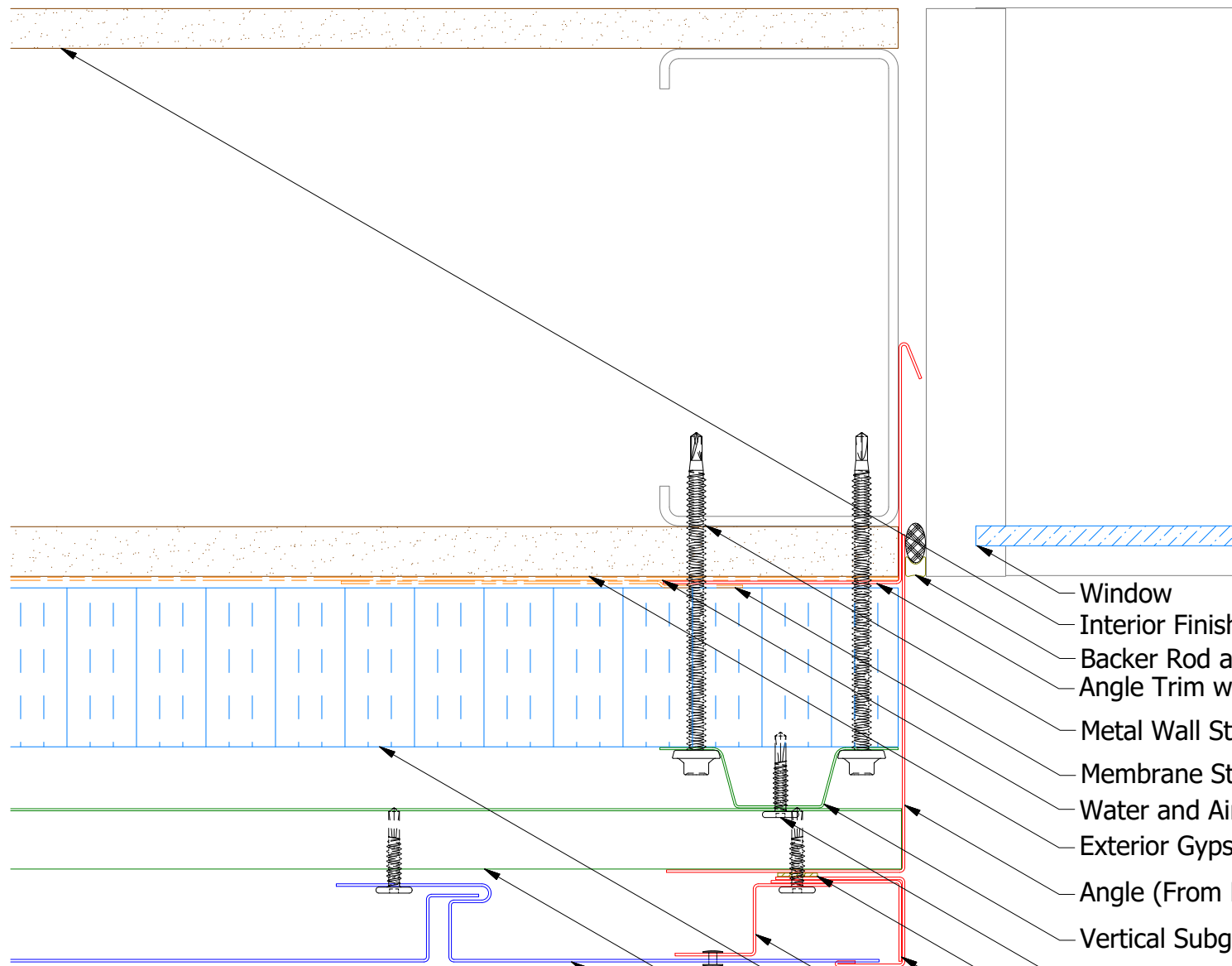
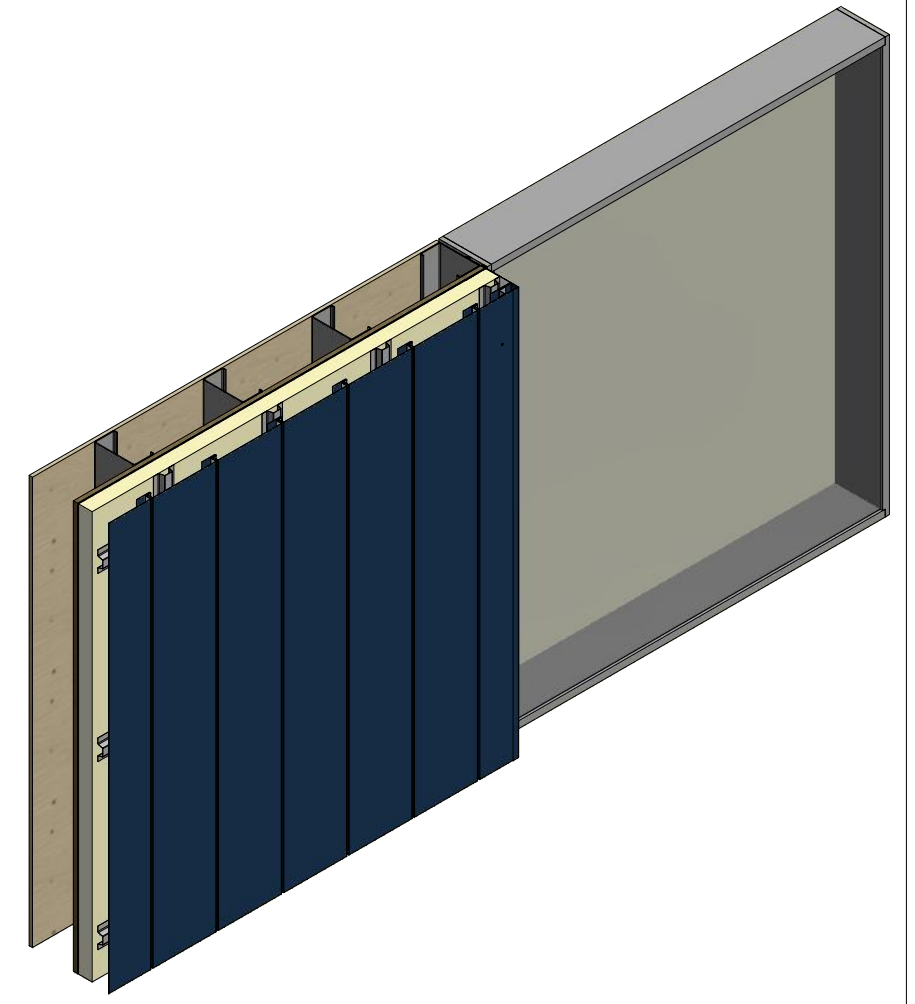
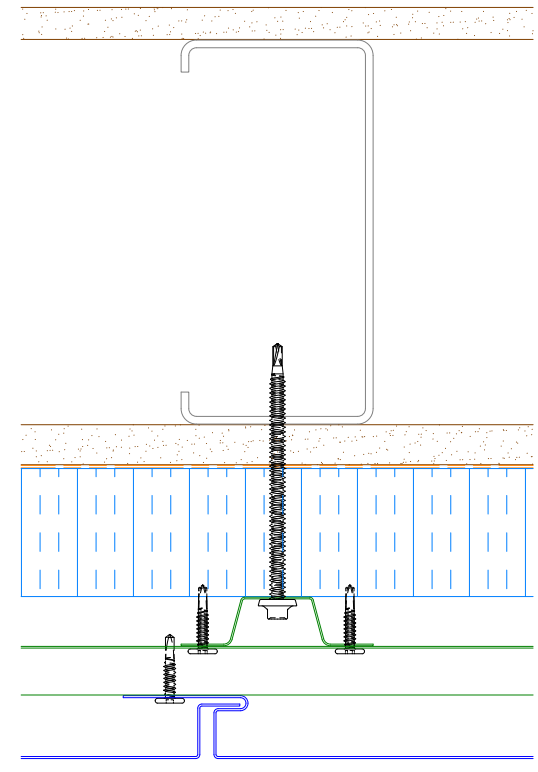


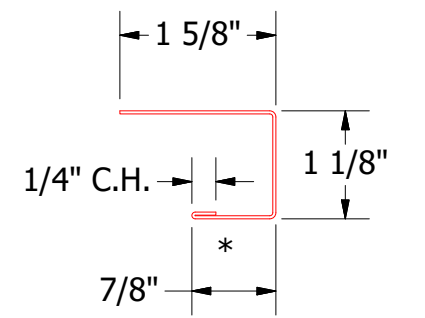
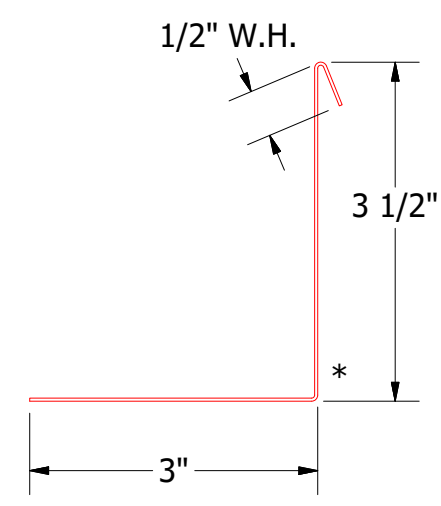
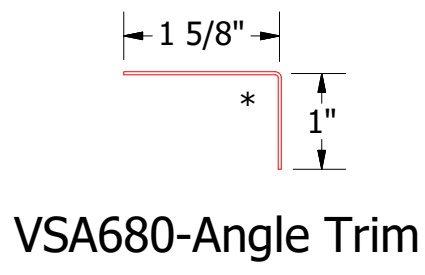
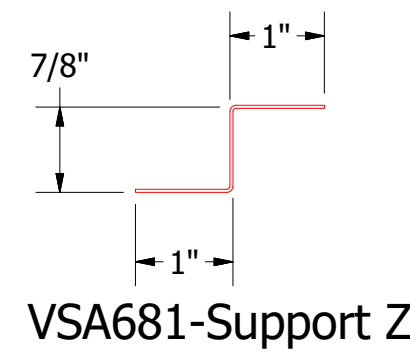
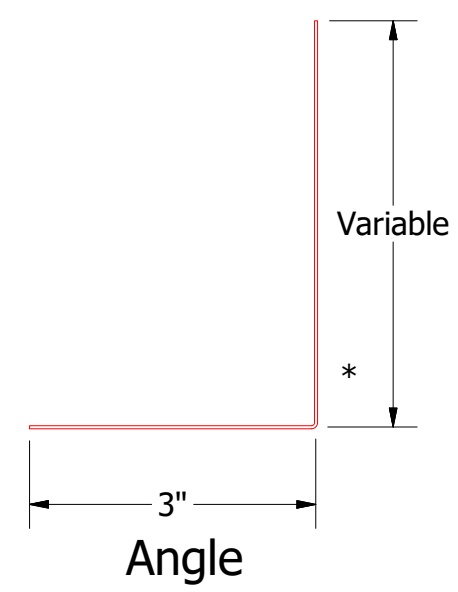
Vertical Panel



Alternate Subgirt Orientation (NTS)



- Window
- Interior Finish
- Backer Rod and Sealant
- Angle Trim with Return
- Metal Wall Stud
- Membrane Strip over Angle Trim with Return
- Water and Air Resistive Barrier
- Exterior Gypsum Board
- Angle (From Flatstock)
- Vertical Subgirt
- #10 x 1" Wafer Head Fastener
- Butyl Tape
- Angle Trim
- J Channel
- Support Z
- Water Resistant Insulation
- Painted Pop Rivet (Stainless Steel)
- Horizontal Subgirt
- Versa-Seam Panel



2 Stage Method of Weather Proofing

ATAS ATAS INTERNATIONAL, INC
 Allentown PA
 610-395-8445
 Mesa AZ
 480-558-7210

TITLE		Versa-Seam Jamb Detail	
DWG. NO.	DR	DATE	7/29/2014
MATERIAL	APP	SCALE	X:X
REV. NO.	DATE	DESCRIPTION OF REVISION	BY APP

Note: * denotes color side.