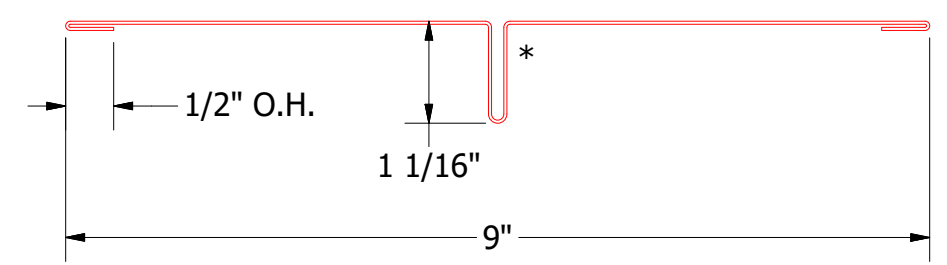


1/2 Plywood (min.)
Water and Air Resistive Barrier

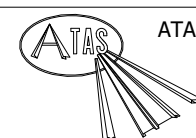
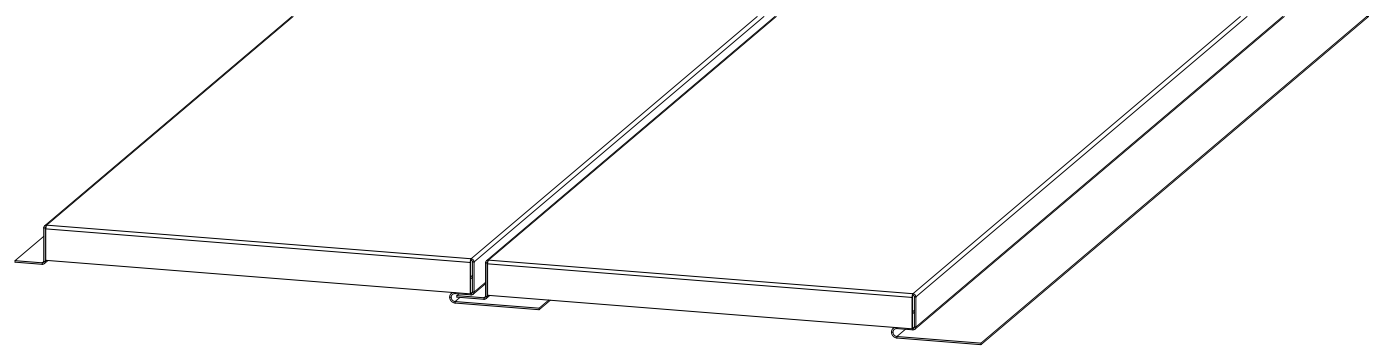
#10 x 1" Wafer Head Screw
Versa-Seam Panel (with end fold)

Reveal Trim

Insulation
Interior Finish



VSA672-Reveal Trim



ATAS INTERNATIONAL, INC
Allentown PA
610-395-8445
Mesa AZ
480-558-7210

TITLE
Versa-Seam Reveal Detail

REV. NO.	DATE	DESCRIPTION OF REVISION	BY	APP	DWG. NO.	DR	KRK	DATE	7/29/2014
						APP	DAS	DATE	8/4/16
						SH. SIZE	B	SCALE	X:X