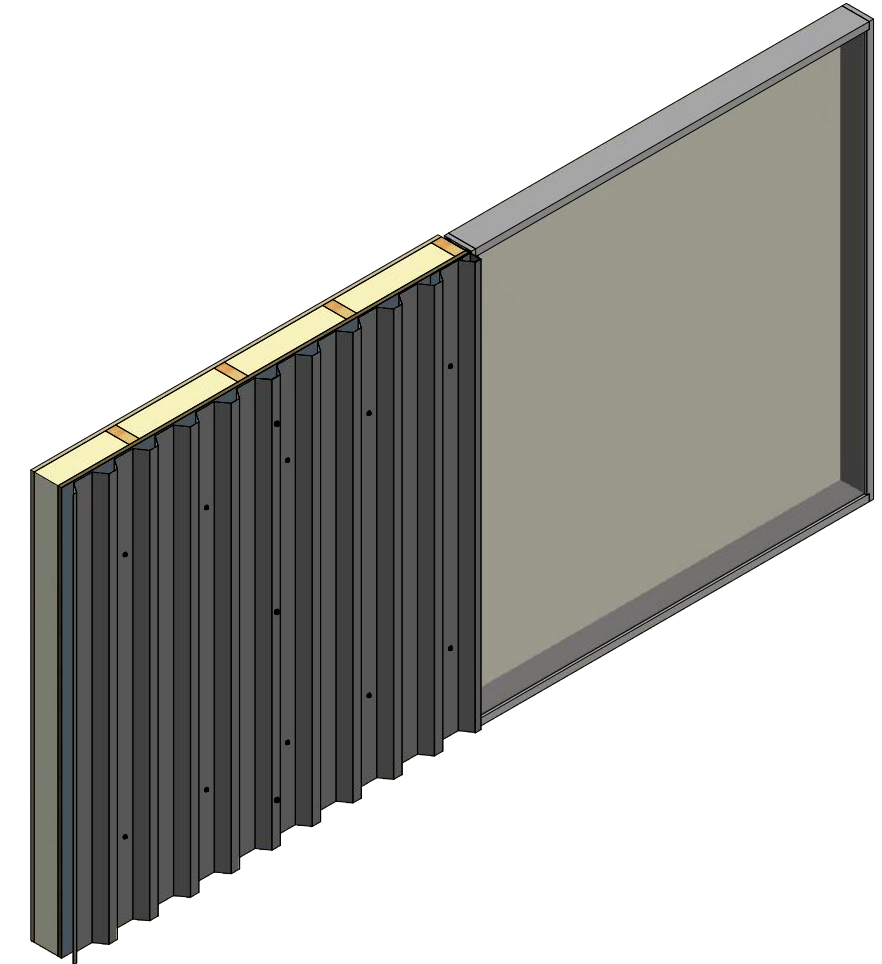
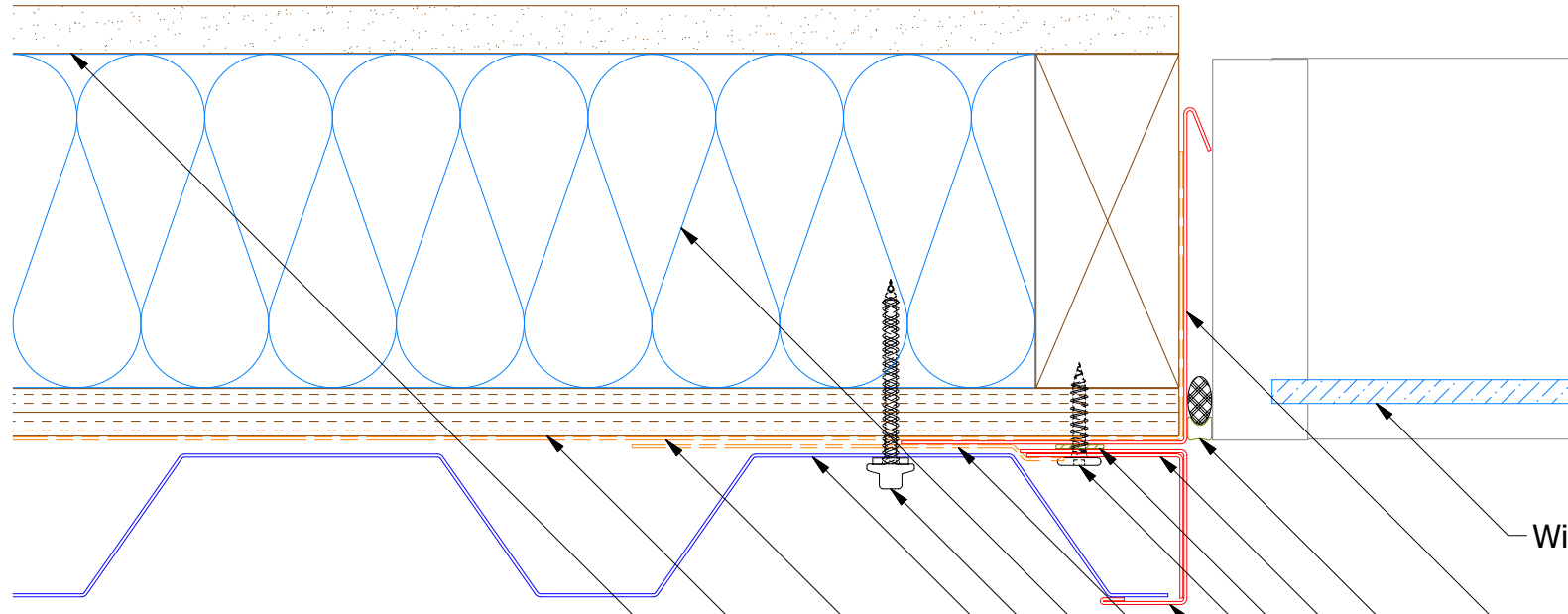
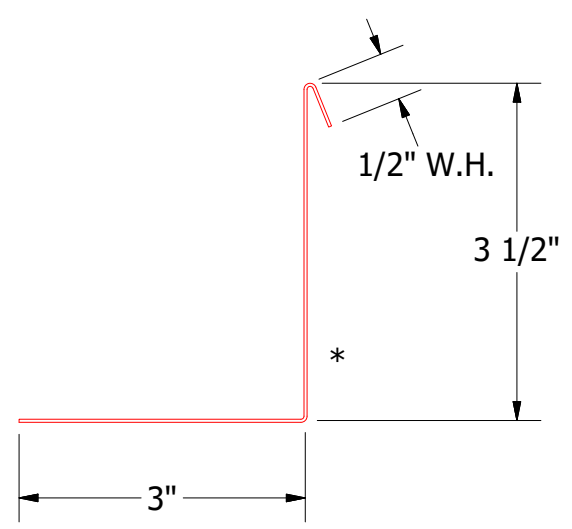


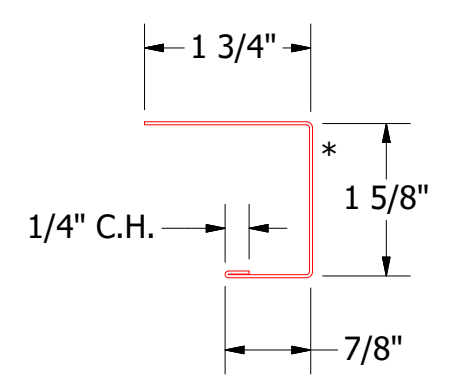
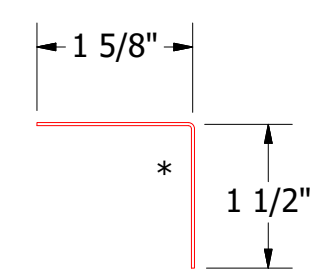
Vertical Panel



- Window Unit
- Angle Trim with Return
- Backer Rod and Appropriate Sealant
- Angle Trim
- Butyl Tape
- #10 x 1" Wafer Head Screw
- J Channel
- Membrane Strip over J Channel and Angle Trim
- Insulation
- #10 x 2" Painted Hex Washer Head Fastener with Washer
- Short Rib Panel
- Water and Air Resistive Barrier
- 1/2" Plywood (min.)
- Interior Finish



BWA680 - Angle Trim



BWA683 - Angle Trim with Return

ATAS ATAS INTERNATIONAL, INC
 Allentown PA
 610-395-8445
 Mesa AZ
 480-558-7210

TITLE				Belvedere Short Rib Jamb Detail	
DWG. NO.		DR		DATE	
		KRK		6/15/2015	
MATERIAL		APP		DATE	
		DAS		7/21/16	
REV. NO.		SH. SIZE		SCALE	
		B		X:X	