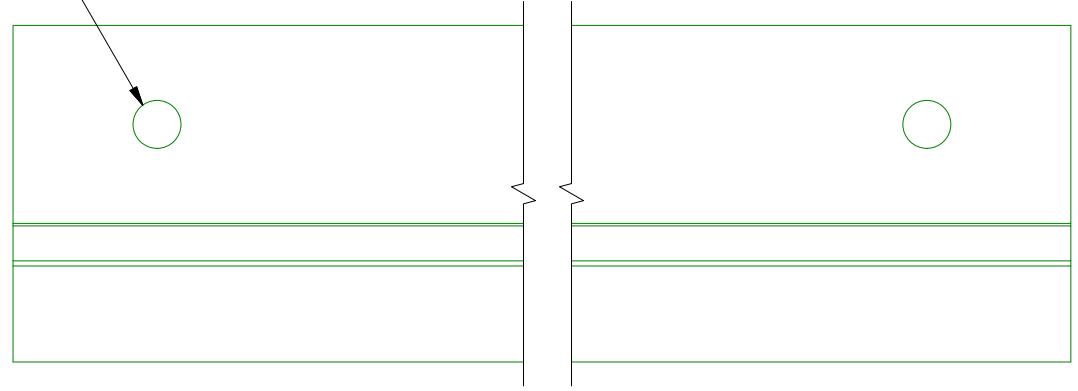


Pre-Punched Fastener Holes

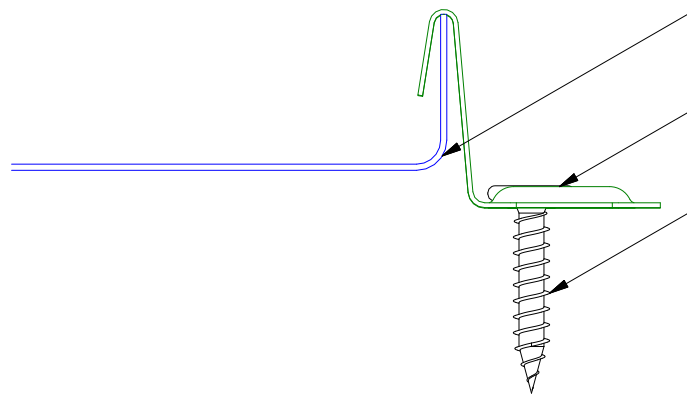


Joggle Cleat

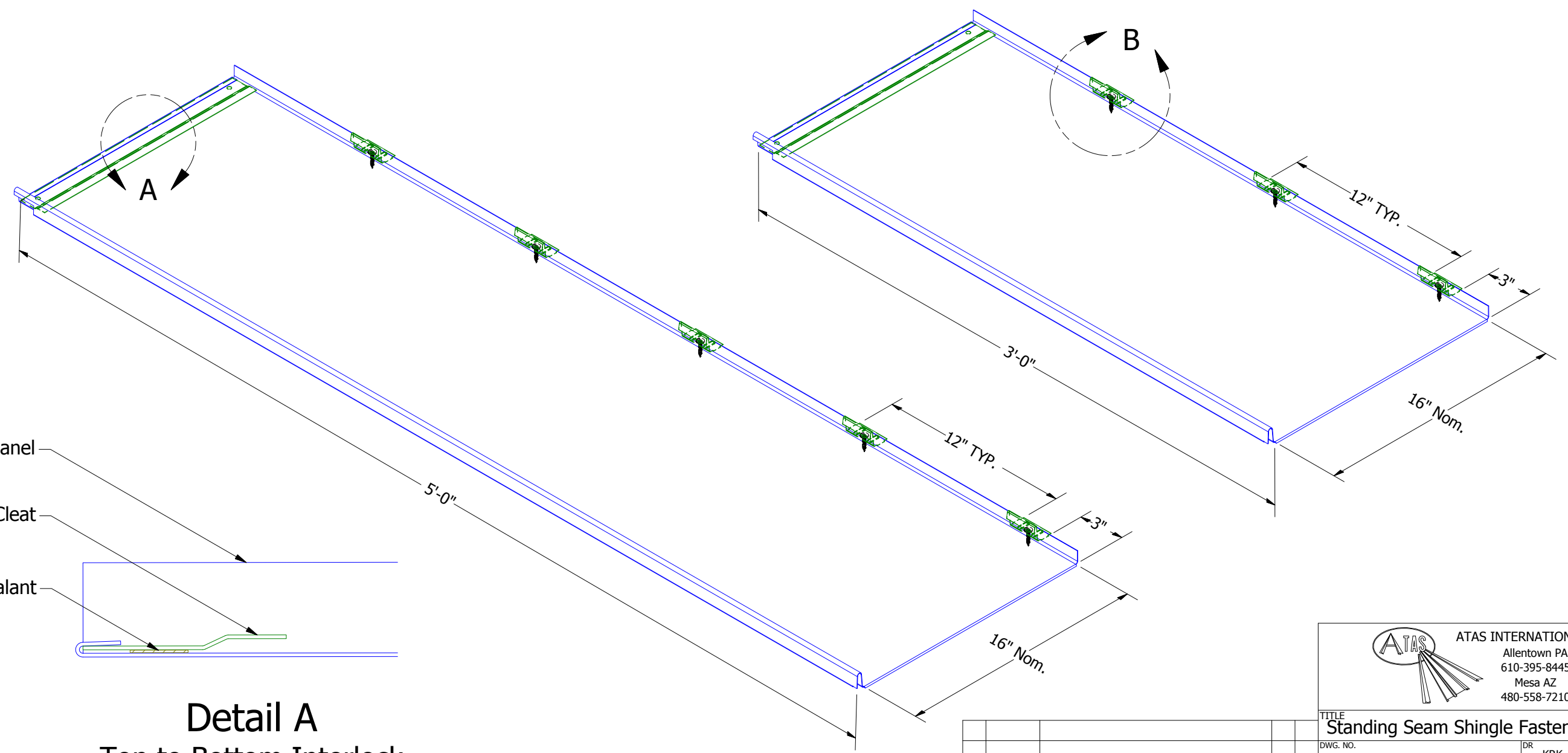
Standing Seam Shingle Panel

Side Seam Clip

Appropriate Fastener



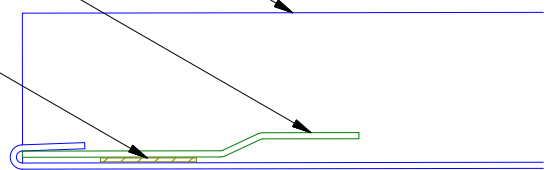
Detail B
Side Interlock at Clip



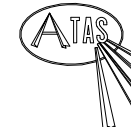
Standing Seam Shingle Panel

Joggle Cleat

Factory Applied Sealant



Detail A
Top to Bottom Interlock



ATAS INTERNATIONAL, INC
Allentown PA
610-395-8445
Mesa AZ
480-558-7210

| | | | |
|--|-----|----------|-----|
| TITLE | | | |
| Standing Seam Shingle Fastening Detail | | | |
| DWG. NO. | DR | DATE | |
| | KRK | 9/8/2015 | |
| MATERIAL | APP | DATE | |
| | | | |
| SH. SIZE | B | SCALE | X:X |

| REV. NO. | DATE | DESCRIPTION OF REVISION | BY | APP |
|----------|------|-------------------------|----|-----|
| | | | | |
| | | | | |
| | | | | |