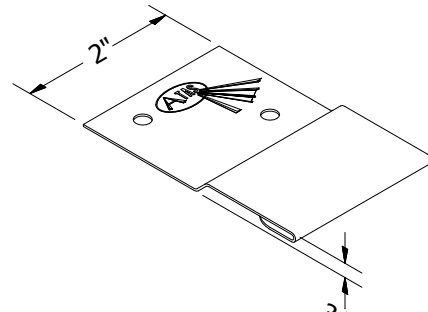
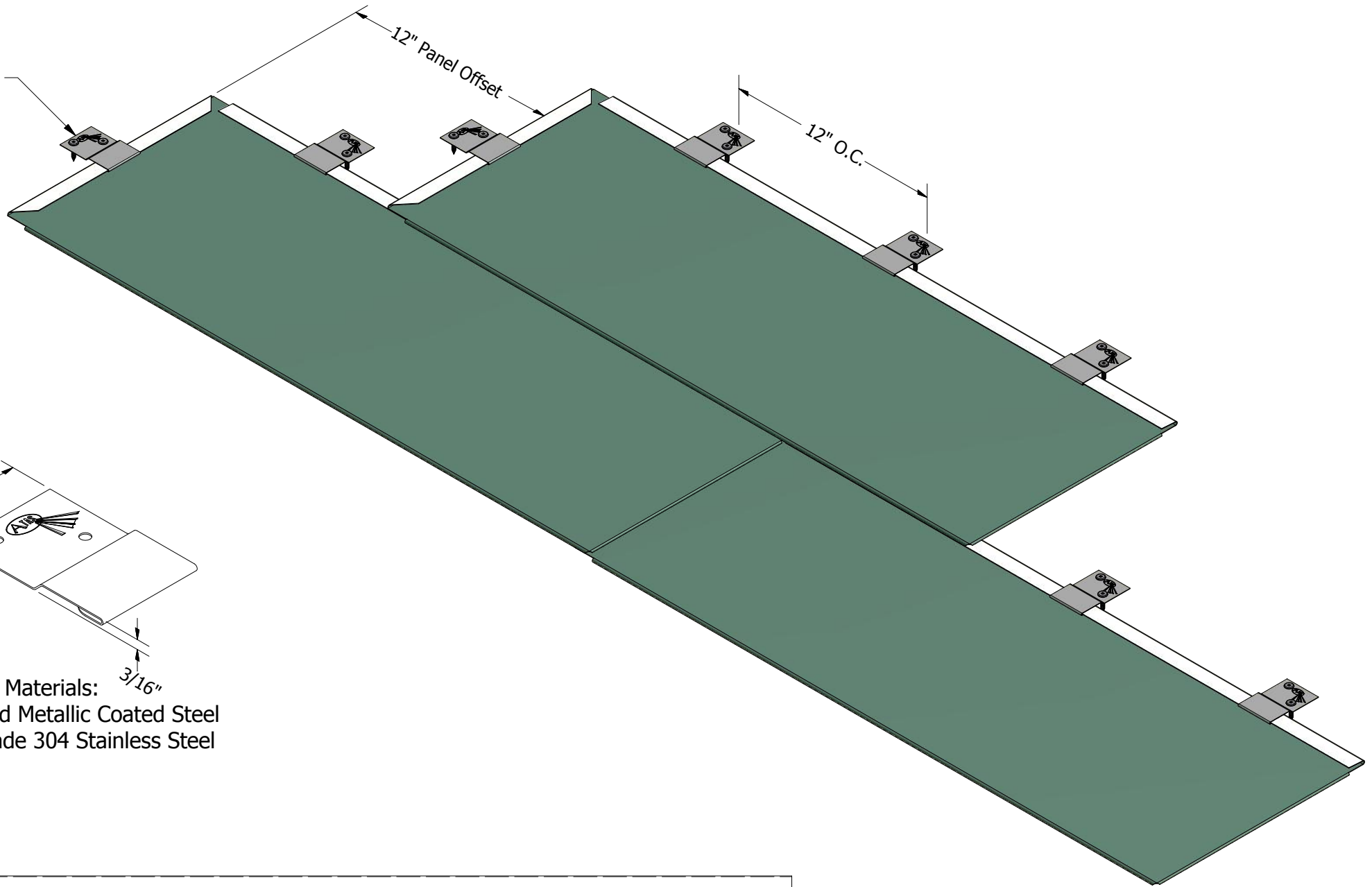
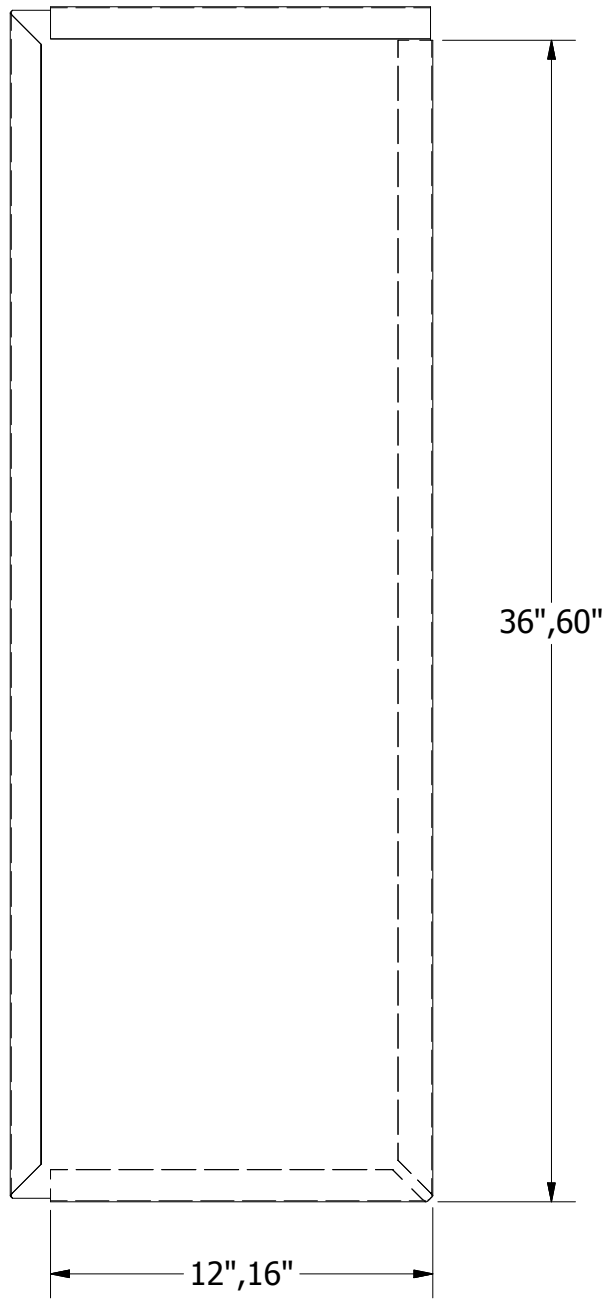


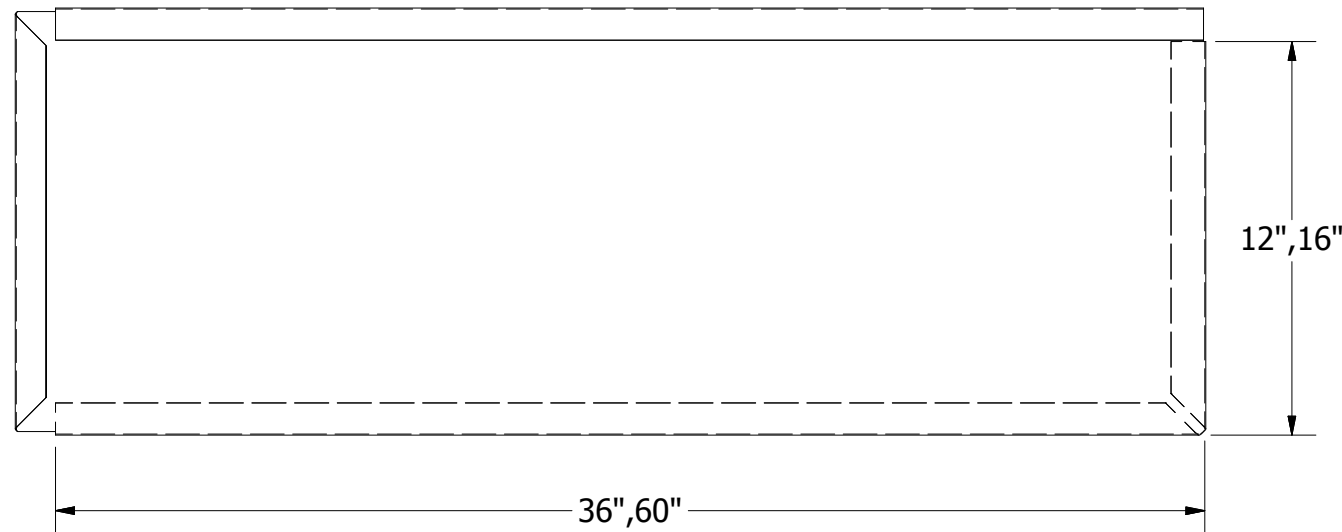
Versa-Lok Clip Centered in Middle of Panel



Standard Clip Materials:
 0.027" Painted Metallic Coated Steel
 24 Gauge Grade 304 Stainless Steel

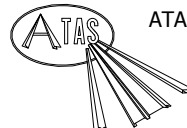


Vertical Versa-Lok Panel
 (standard right-to-left panel)



Horizontal Versa-Lok Panel
 (standard right-to-left panel)

REV. NO.	DATE	DESCRIPTION OF REVISION	BY	APP

 ATAS INTERNATIONAL, INC Allentown PA 610-395-8445 Mesa AZ 480-558-7210		TITLE	
		Versa-Lok Panel Detail	
DWG. NO.		DR	DATE
		KRK	2/9/2016
MATERIAL		APP	DATE
		DAS	8/8/16
		SH. SIZE	SCALE
		B	X:X