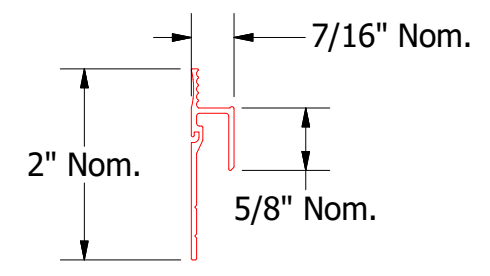
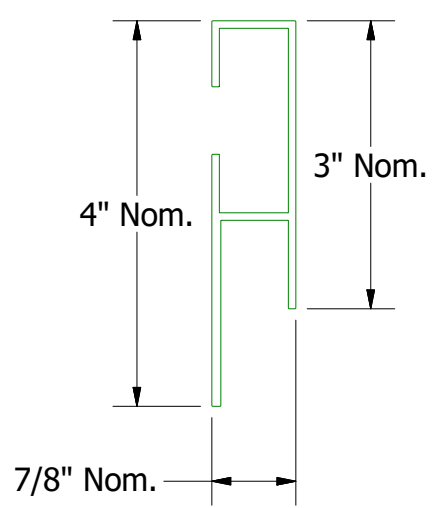
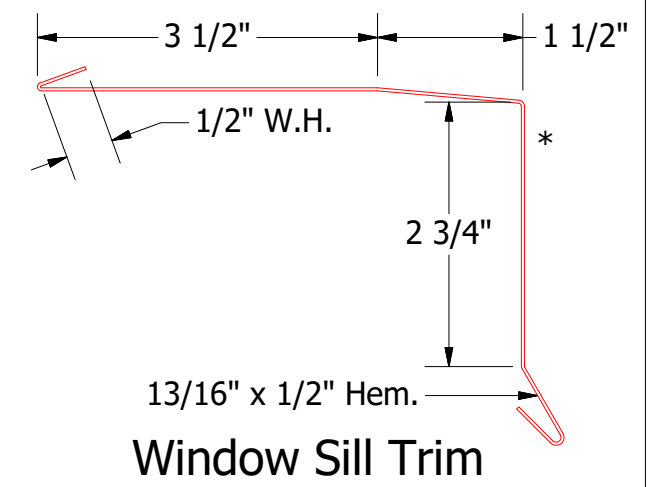
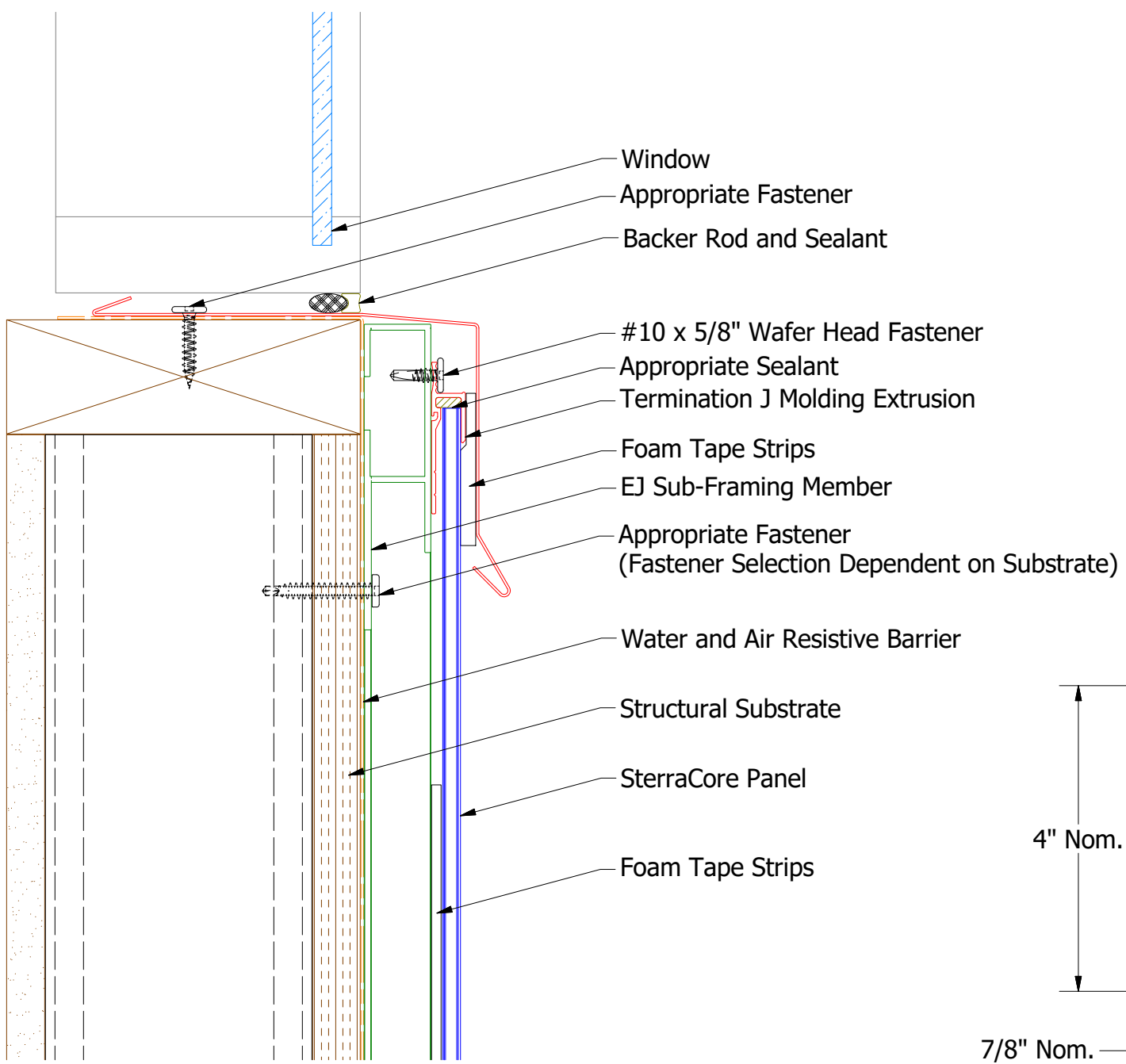
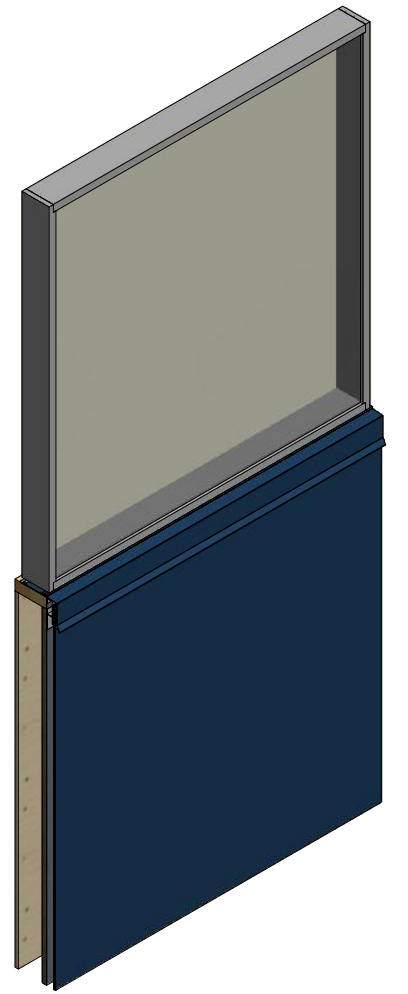
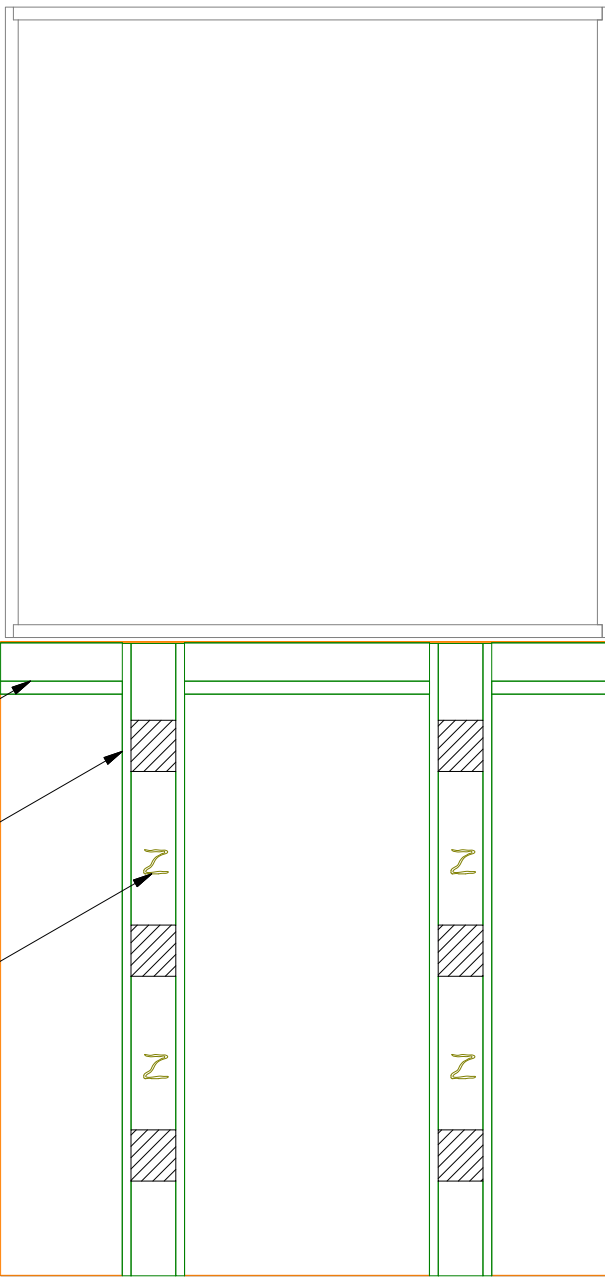


- (1) Termination J Molding Extrusion Installed on EJ Sub-Framing Member.
- (2) Sub-Framing Member Installed 16" - 24" O.C.
- (3) Panel Adhesive Applied 16" O.C. Vertically and 4" Foam Tape Strips Installed Vertically on Sub-Framing Member. (Refer to Sub-Framing Details)



**Note:** Spacing between Panels and Water and Air Resistive Barrier are shown for Clarity.

**ATAS** ATAS INTERNATIONAL, INC  
 Allentown PA  
 610-395-8445  
 Mesa AZ  
 480-558-7210

TITLE				STERRACORE WINDOW SILL DETAIL - 1 PIECE	
DWG. NO.		DR	DMR	DATE	5/1/2020
		APP		DATE	
REV. NO.	DATE	DESCRIPTION OF REVISION	BY	APP	
MATERIAL				SH. SIZE	B
				SCALE	X:X